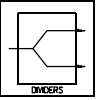


# PD7 Series 0°, 75 ohm POWER DIVIDERS / COMBINERS

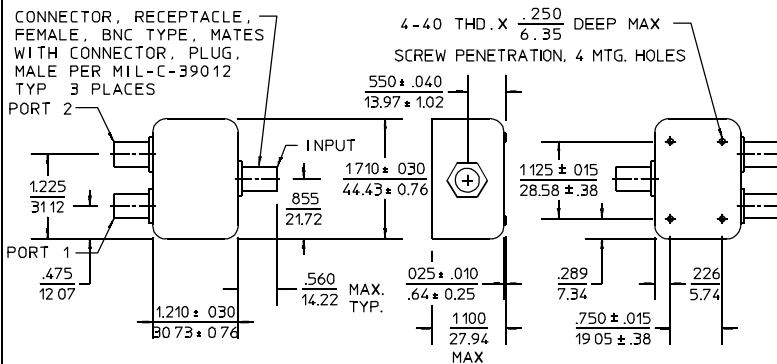
50 to 90 MHz / 2, 4 & 8-Way / Excellent Phase and Amplitude Balance / High Output Port Isolation



## PRINCIPAL SPECIFICATIONS

Model Number	Frequency Range, MHz	Quantity of Outputs	Isolation, dB, Max.	Insertion Loss, dB, Max.	Amplitude Balance, dB, Max.	Phase Balance, Max.	VSWR In/Out Max.	Weight oz.(g)
PD7-20-70A	50 - 90	2	25	0.5 dB	0.25	2°	1.3:1	2.5 (70)
PD7-40-70A	50 - 90	4	25	1.0 dB	0.50	3°	1.3:1	3.5 (100)
PD7-80-70A	50 - 90	8	25	1.5 dB	0.75	4°	1.3:1	8.0 (228)

### PD7-20-70A Package Outline



NOTES: 1. Tolerance on 3 place decimals  $\pm 0.020(0.51)$  except as noted.  
2. Dimensions in inches over millimeters.

## GENERAL SPECIFICATIONS

Impedance: 75  $\Omega$  nom.  
 CW Input Power: 3 W max.  
 (When used as divider with 1.2:1 VSWR<sub>out</sub>)  
 Internal Load Dissipation: 250 mW max.  
 BNC Female Connectors: 50  $\Omega$  type  
 (To meet interface requirements of MIL-C-39012)  
 Operating Temp: -55° to +85°C

## AVAILABLE OPTIONS

True 75  $\Omega$  BNC Connectors  
 Special Frequency Bands  
 N-Way where  $N \leq 16$   
 Other Packages (PC, Flatpack, TO-5, SMA)  
 Precision Balance

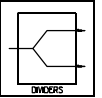
### General Notes:

1. The PD7 series covers 50 to 90 MHz with a broadband, lumped element design to minimize the baseband amplitude and phase ripple.
2. These units are suitable applications in voice, data or television communication systems.
3. The PD7 series includes catalog standard, in-phase two, four and eight-way power dividers. In addition, up to 16-way units are available in custom units.

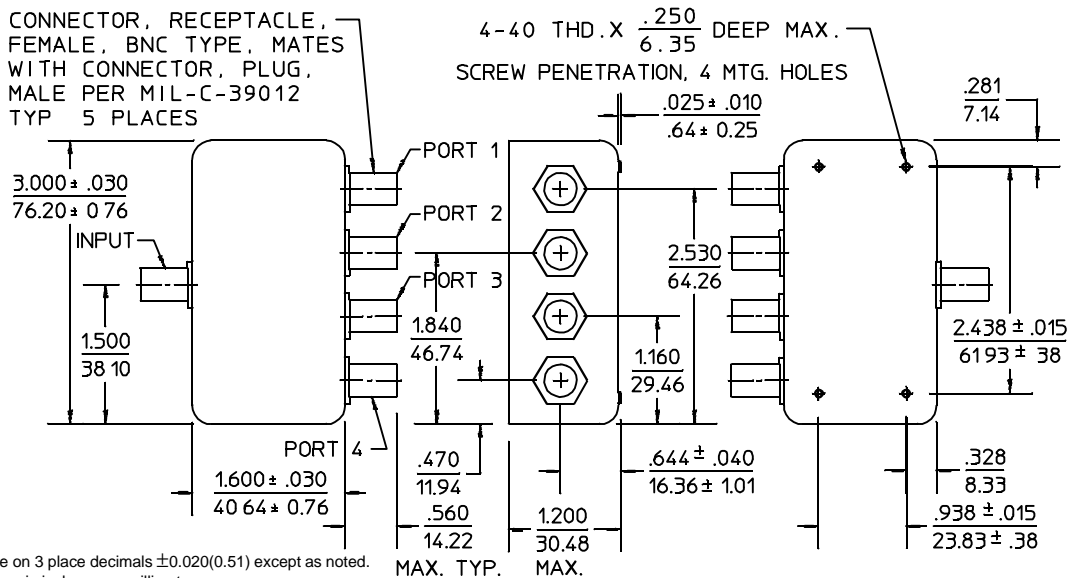
16Feb96

# PD7 Series 0°, 75 ohm POWER DIVIDERS / COMBINERS

50 to 90 MHz / 2, 4 & 8-Way / Excellent Phase and Amplitude Balance / High Output Port Isolation

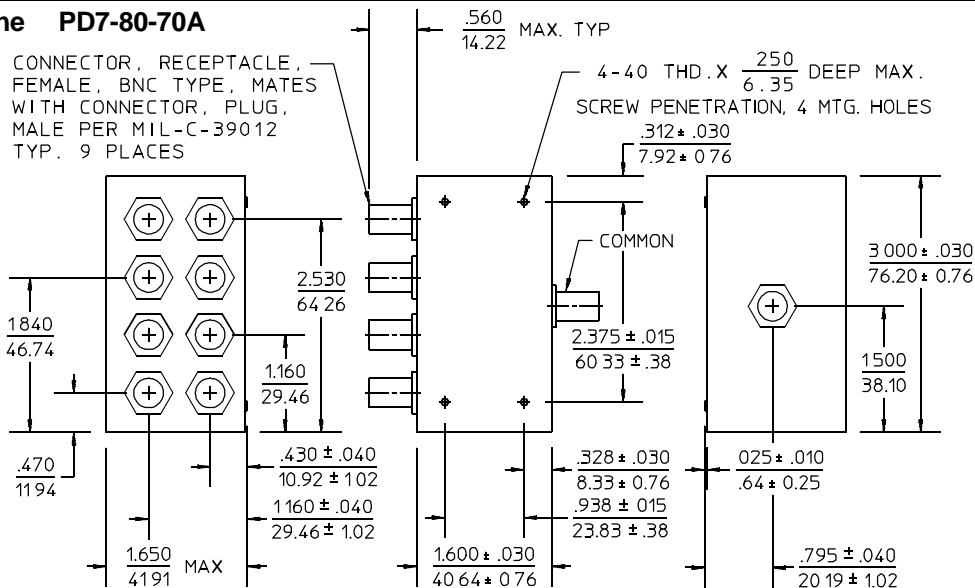


## Package Outline PD7-40-70A



NOTES: 1. Tolerance on 3 place decimals  $\pm 0.020(0.51)$  except as noted.  
2. Dimensions in inches over millimeters.

## Package Outline PD7-80-70A



NOTES: 1. Tolerance on 3 place decimals  $\pm 0.020(0.51)$  except as noted.  
2. Dimensions in inches over millimeters.

16Feb96