

Coaxial

Power Splitter/Combiner

ZFSC-2-6+ ZFSC-2-6

2 Way-0° 50Ω 0.002 to 60 MHz



BNC version shown
CASE STYLE: K18

Connectors	Model
BNC	ZFSC-2-6(+)
SMA	ZFSC-2-6-S+
N-TYPE	ZFSC-2-6-N(+)
BRACKET (OPTION "B")	

+ RoHS compliant in accordance with EU Directive (2002/95/EC)

The +Suffix identifies RoHS Compliance. See our web site for RoHS Compliance methodologies and qualifications.

Maximum Ratings

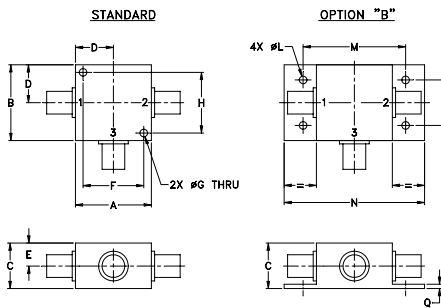
Operating Temperature	-55°C to 100°C
Storage Temperature	-55°C to 100°C
Power Input (as a splitter)	1W max.*
Internal Dissipation	0.125W max.

* At low range frequency band (f_L to $10 f_U$), linearly derate maximum input power by 13 dB typ.

Coaxial Connections

SUM PORT	3
PORT 1	1
PORT 2	2

Outline Drawing



Outline Dimensions (inch/mm)

A	B	C	D	E	F	G	H	J	K	L	M	N	P	Q	wt
1.25	1.25	.75	.63	.38	1.00	.125	1.000	--	--	.125	1.688	2.18	.75	.07	grams
31.75	31.75	19.05	16.00	9.65	25.40	3.18	25.40	--	--	3.18	42.88	55.37	19.05	1.78	70.0

For option B with N-type connectors, dimension "C" increases to 0.94 inches.

Features

- low insertion loss, 0.3 dB typ.
- excellent isolation, 30 dB typ.
- excellent amplitude unbalance, 0.1 dB typ.
- excellent phase unbalance, 0.2 deg. typ.
- rugged shielded case

Applications

- HF
- ham radio
- defense communications

Electrical Specifications

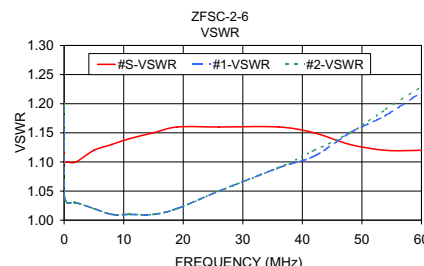
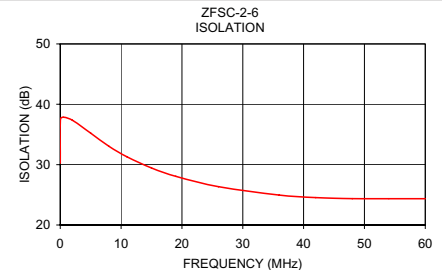
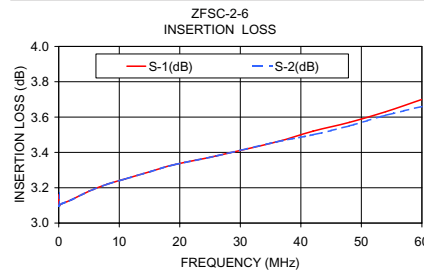
FREQ. RANGE (MHz)	ISOLATION** (dB)			INSERTION LOSS (dB) ABOVE 3.0 dB			PHASE UNBALANCE (Degrees)			AMPLITUDE UNBALANCE (dB)								
	L	M	U	L	M	U	L	M	U	L	M	U						
f_L - f_U	Typ. Min.	Typ. Min.	Typ. Min.	Typ. Max.	Typ. Max.	Typ. Max.	Max.	Max.	Max.	Max.	Max.	Max.						
0.002-60	27	20	30	27	20	20	0.3	0.6	0.3	0.6	0.6	1.0	2	3	4	0.15	0.20	0.30

L = low range [f_L to $10 f_U$] M = mid range [$10 f_L$ to $f_U/2$] U = upper range [$f_U/2$ to f_U]

** Isolation specified to 0.006 MHz

Typical Performance Data

Frequency (MHz)	Insertion Loss (dB)		Amplitude Unbalance (dB)	Isolation (dB)	Phase Unbalance (deg.)	VSWR S	VSWR 1	VSWR 2
	S-1	S-2						
0.002	3.16	3.17	0.00	30.24	0.10	1.14	1.20	1.20
0.02	3.10	3.10	0.00	37.52	0.05	1.10	1.04	1.04
0.51	3.11	3.11	0.00	37.86	0.06	1.10	1.03	1.03
2.00	3.13	3.13	0.00	37.35	0.06	1.10	1.03	1.03
5.00	3.18	3.18	0.00	35.22	0.06	1.12	1.02	1.02
8.00	3.22	3.22	0.00	33.04	0.05	1.13	1.01	1.01
11.00	3.25	3.25	0.00	31.28	0.05	1.14	1.01	1.01
15.00	3.29	3.29	0.00	29.45	0.05	1.15	1.01	1.01
19.00	3.33	3.33	0.00	28.06	0.04	1.16	1.02	1.02
26.00	3.38	3.38	0.00	26.35	0.04	1.16	1.05	1.05
36.00	3.46	3.46	0.01	24.95	0.06	1.16	1.09	1.09
42.00	3.52	3.50	0.01	24.54	0.08	1.15	1.11	1.12
48.00	3.57	3.55	0.02	24.37	0.12	1.13	1.15	1.15
54.00	3.63	3.61	0.02	24.36	0.16	1.12	1.18	1.19
60.00	3.70	3.66	0.03	24.35	0.22	1.12	1.22	1.23



electrical schematic



Mini-Circuits®
ISO 9001 ISO 14001 AS 9100 CERTIFIED

minicircuits.com

P.O. Box 350166, Brooklyn, New York 11235-0003 (718) 934-4500 Fax (718) 332-4661 For detailed performance specs & shopping online see Mini-Circuits web site

The Design Engineers Search Engine Provides ACTUAL Data Instantly From MINI-CIRCUITS At: www.minicircuits.com

REV. B
M120055
ZFSC-2-6
HY/TD/CP/AM
090112

IF/RF MICROWAVE COMPONENTS