

Power Dividers and Hybrids

50 Years of
Excellence

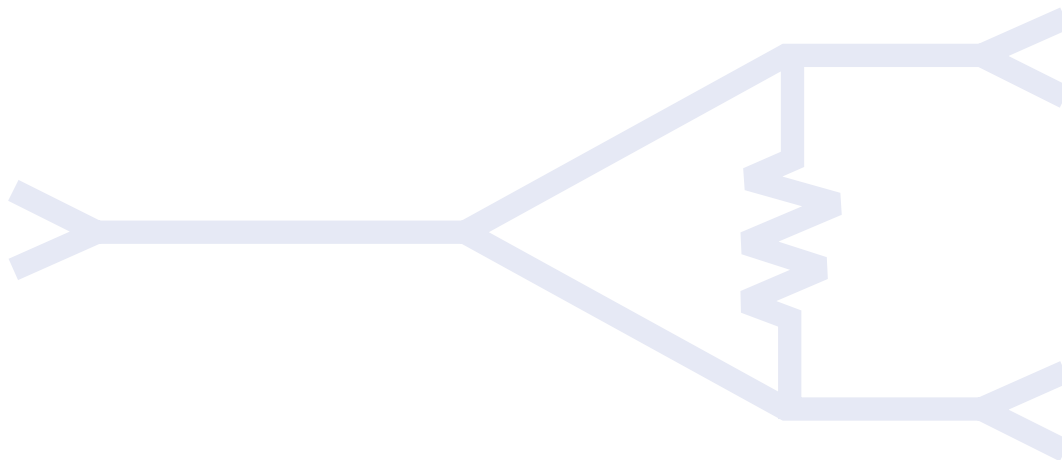
0.25-16 GHz

**SMA Miniature Stripline
90° Coaxial Mini-Hybrids**

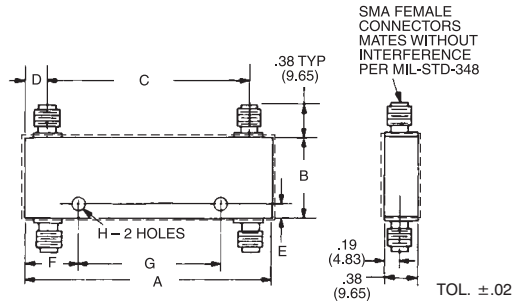
- Complete Frequency Range – 250 MHz to 16 GHz
- Smallest Units Available
- Isolation to 30 dB (min) for L Band
- Rigid Construction Resists Shock and Vibration
- Operational to 105°C without Degradation (125°C storage)

**Specifications**

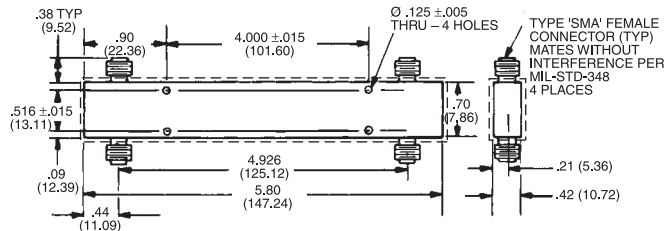
FREQUENCY RANGE GHz	MODEL	COUPLING (Nominal)	INSERTION LOSS dB (max)	VSWR dB	ISOLATION dB (max)	AMP BAL dB	PHASE BAL Degrees	POWER		WEIGHT	
								Avg Watts	Peak kW	lbs	kg
0.25-0.5	4030C	3	0.2	1.25	25	±0.6	5	50	5	3.0	85
0.5-1	4031C	3	0.2	1.25	20	±0.6	5	50	5	1.4	40
1-2	4032C	3	0.2	1.10	30	±0.6	5	50	5	0.70	20
2-4	4033C	3	0.2	1.20	22	±0.6	5	50	5	0.53	16
4-8	4034C	3	0.3	1.25	20	±0.6	10	50	5	0.56	16
7.5-16	4065	3	0.6	1.35	15	±0.6	10	30	5	0.70	20



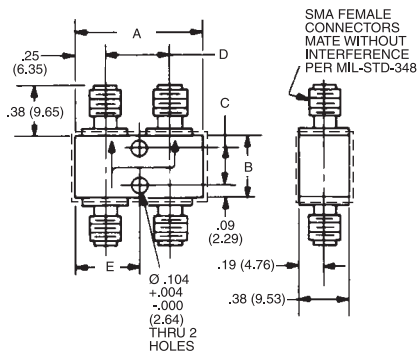
Outline Drawings



MODEL NO.	MAXIMUM DIMENSIONS							
	A	B	C	D	E	F	G	H THRU 2 HOLES
4031C	3.06 (77.75)	.51 (12.87)	2.56 (65.07)	.593 (15.06)	.10 (2.46)	.84 (21.40)	1.375 ±.010 (34.93)	Ø.125 ^{+0.004} _{-.002}
4032C	1.78 (45.21)	.50 (12.70)	1.28 (32.51)	.25 (6.35)	.09 (2.29)	.64 (16.25)	.500 ±.015 (12.70)	Ø.104 ^{+0.004} _{-.002}



MODEL 4030C



TOL. ±.02

MODEL NO.	A	B	C	D	E
4033C	1.16 (29.46)	.51 (12.88)	.312 (7.92)	.66 (16.76)	.58 (14.75)
4034C	1.00 (25.40)	.50 (12.70)	.31 (7.87)	.50 (12.70)	.50 (12.70)
4065	1.00 (25.40)	.58 (14.68)	.390 ±.010 (9.91)	.50 (12.70)	.50 (12.70)

Allow .020 for sealant buildup per surface.

Dimensions in parentheses are in millimeters and are for reference only.