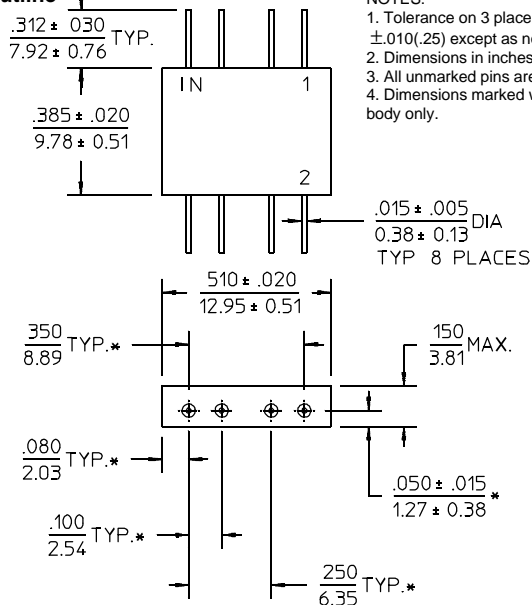


PRINCIPAL SPECIFICATIONS

Model Number	Frequency Range, MHz	Freq. Perform., MHz	Isolation, dB		Insertion Loss, dB		Phase Balance		Amplitude Bal., dB		VSWR (In/Output)		Input Power*, Max.
			Min.	Typ.	Max.	Typ.	Max.	Typ.	Max.	Typ.	Max.	Typ.	
PDF-2A-50	.05 - 100	.05 - 100	30	35	0.7	0.4	2°	1°	0.15	0.1	1.3:1	1.15:1	1W
PDF-2A-100	2 - 200	2 - 10	25	30	0.5	0.25	2°	1°	0.15	0.1	1.3:1	1.15:1	1W
		10 - 200	30	35	0.5	0.25	2°	1°	0.15	0.1	1.3:1	1.15:1	1W
PDF-2A-250	10 - 500	10 - 500	25	30	0.7	0.4	2°	1°	0.2	0.1	1.3:1	1.2:1	1W
PDF-2A-550	30 - 1000	30 - 1000	20	25	1.0	0.5	3°	1°	0.2	0.1	1.4:1	1.2:1	250 mW
PDF-2A-1000	20 - 2000	20 - 1000	20	25	1.1	0.7	4°	2°	0.3	0.2	1.5:1	1.3:1	250 mW
		1000 - 1500	18	20	1.3	1.0	6°	3°	0.4	0.3	1.6:1	1.4:1	250 mW
		1500 - 2000	12	18	2.0	1.5	8°	4°	0.6	0.5	1.8:1	1.5:1	250 mW
PDF-2A-***B	1500 to 4000	±10% f ₀	15	20	1.0	0.5	5°	2°	0.5	0.2	1.7:1	1.3:1	1W

*** for complete part number replace *** with center frequency of band desired * CW power input when used as divider with 1.2:1 VSWR_{out}

Package Outline



- NOTES:
 1. Tolerance on 3 place decimals ±.010(.25) except as noted.
 2. Dimensions in inches over millimeters.
 3. All unmarked pins are case ground.
 4. Dimensions marked with * apply at body only.

GENERAL SPECIFICATIONS

Coupling: - 3 dB nom.
 Impedance: 50 Ω nom.
 Weight, nominal: 0.1 oz. (2.8 g)
 Internal Dissipation: 50 mW max.
 Operating Temp: - 55° to +85°C

