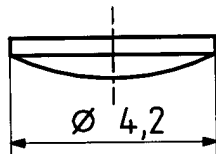
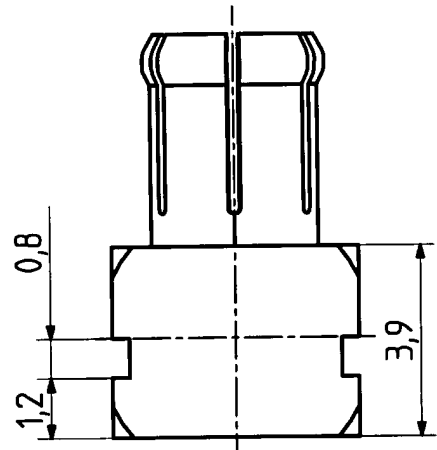
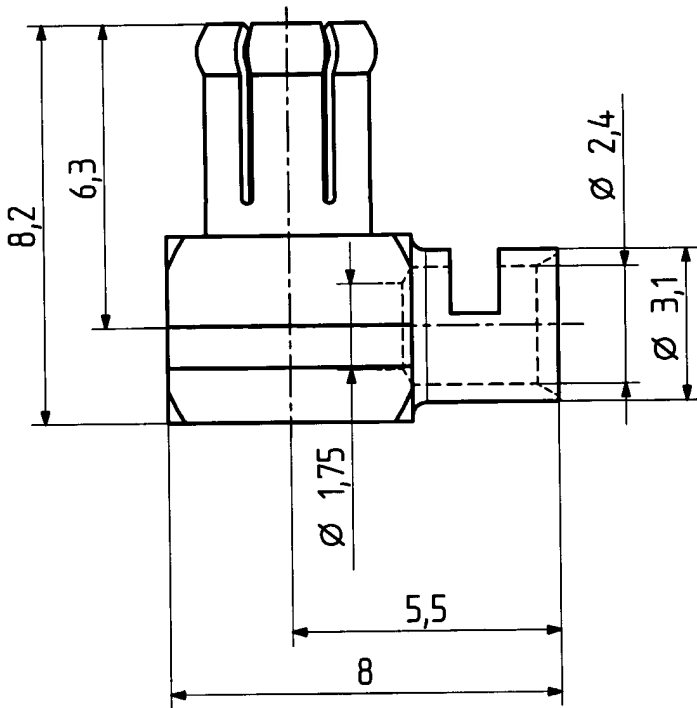
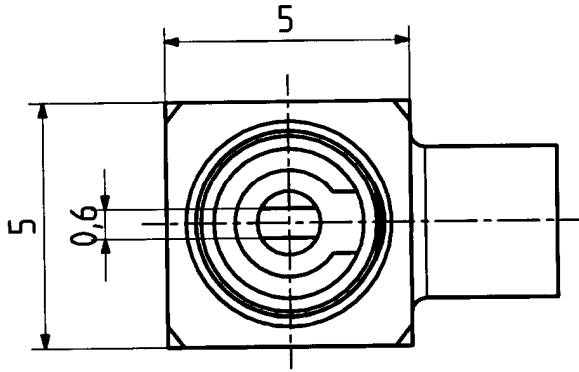


This drawing is copyright. Information contained thereon is supplied in confidence and must not be used for any other purpose than which it was supplied, or be reproduced without written permission of the owners.

Diese Zeichnung ist unser geistiges Eigentum und darf ohne unsere ausdrückliche Einwilligung weder kopiert, vervielfältigt, noch Dritten Personen oder Konkurrenzfirmen zugänglich gemacht werden.

type : 16 MCX-50-2-102		date	sign
drawn	20.10.99	4.727/HUC	
checked	<i>[Signature]</i>	<i>[Signature]</i>	
approved	<i>[Signature]</i>	<i>[Signature]</i>	



H+S 701 448.05

scale

7:1



HUBER + SUHNER RFX

dimensions in mm

drawing number

4.13.31180

OZ drawing :

index

b

Order number:**Type:**

SUHNER Type:	16 MCX-50-2-102 / 111 NH	Picture
Order Number:	23000448	
Series:	MCX	
Cable Type:	RG 316 /U , RG 188 A/U RG 174 /U	
Cable entry:		
□outer contact:	soldered	
□center contact:	soldered	
Electrical Data:		
Impedance:	50 □	
Frequency Range:	DC ... 6.00 GHz	
Material Data:	Material	Surface Plating
Centre contact:	Brass	Gold / nickel underplated
Outer contact:	Copper-Beryllium	Gold / nickel underplated
Body:	Brass	Gold / nickel underplated
Insulator:	PTFE/PFA	
General Information:		
Interface according to:	CECC 22220	
Weight:	0.70 g/0.02 oz	
Packaging:	Bulk 100 pcs	
Attachment:		
Outline drawing:	S31180	
Assembly Instruction:	M27307	

Order number:**Type:**

SUHNER Type:	16 MCX-50-2-102 / 133 NH	Picture
Order Number:	22658276	
Series:	MCX	
Cable Type:	RG 316 /U , RG 188 A/U RG 174 /U	
Cable entry:		
□outer contact:	soldered	
□center contact:	soldered	
Electrical Data:		
Impedance:	50 □	
Frequency Range:	DC ... 6.00 GHz	
Material Data:	Material	Surface Plating
Centre contact:	Brass	Gold / nickel underplated
Outer contact:	Copper-Beryllium	SUCOPLATE
Body:	Brass	SUCOPLATE
Insulator:	PTFE/PFA	
General Information:		
Interface according to:	CECC 22220	
Weight:	0.70 g/0.02 oz	
Packaging:	Bulk 100 pcs	
Attachment:		
Outline drawing:	S31180	
Assembly Instruction:	M27307	