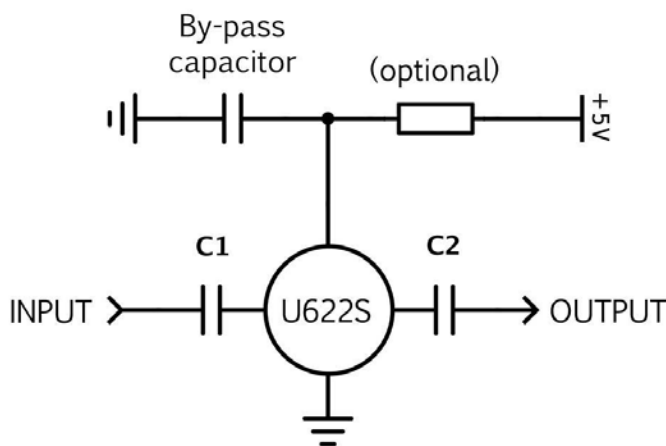
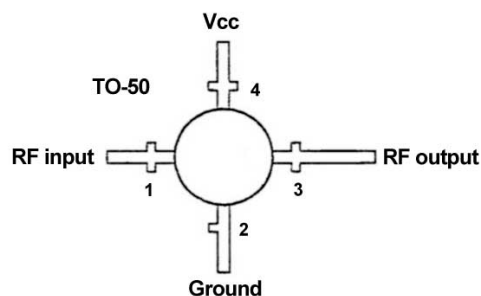


U622S is a 2 GHz divide by 220 prescaler, it operates with 5V supply voltage. It is particularly suggested for PLL circuits and it is necessary only one component to obtain the entire division chain. With a max output of 10 MHz it can directly drive the PLL circuit saving space and components.



C1 = good quality dc block capacitor (for example 100pF for $F \geq 1$ GHz)
 C2 = non critical dc block capacitor (≥ 1000 pF)

Specifications		Min.	Typ.	Max.
Supply voltage	V	4.5	5	5.5
Supply current	mA		22	
Sensitivity (F = 1.6 GHz)	mV		40	
Sensitivity (F = 400 to 2000 MHz)	mV		80	
Input operating voltage	mV			300
Breakdown input voltage	V			3
Output level	mV RMS	300		
Operating temperature	°C	-25		+85
Storage temperature	°C	-40		+125