

# LMX2335/LMX2336/LMX2337 PLLatinum™ Dual Frequency Synthesizer for RF Personal Communications

<b>LMX2335</b>	<b>1.1 GHz/1.1 GHz</b>
<b>LMX2336</b>	<b>2.0 GHz/1.1 GHz</b>
<b>LMX2337</b>	<b>550 MHz/550 MHz</b>

## General Description

The LMX2335, LMX2336 and LMX2337 are monolithic, integrated dual frequency synthesizers, including two high frequency prescalers, and are designed for applications requiring two RF phase-lock loops. They are fabricated using National's ABiC IV silicon BiCMOS process.

The LMX2335/36/37 contains two dual modulus prescalers. A 64/65 or a 128/129 prescaler can be selected for each RF synthesizer. A second reference divider chain is included in the IC for improved system noise. LMX2335/36/37, which employ a digital phase locked loop technique, combined with a high quality reference oscillator and loop filters, provide the tuning voltages for voltage controlled oscillators to generate very stable low noise RF local oscillator signals.

Serial data is transferred into the LMX2335/36/37 via a three wire interface (Data, Enable, Clock). Supply voltage can range from 2.7V to 5.5V. The LMX2335/36/37 feature very low current consumption; LMX2335/37 -10 mA at 3V, LMX2336 -13 mA at 3V. The LMX2335/37 are available in

both a JEDEC SO and TSSOP 16-pin surface mount plastic package. The LMX2336 is available in a TSSOP 20-pin surface mount plastic package.

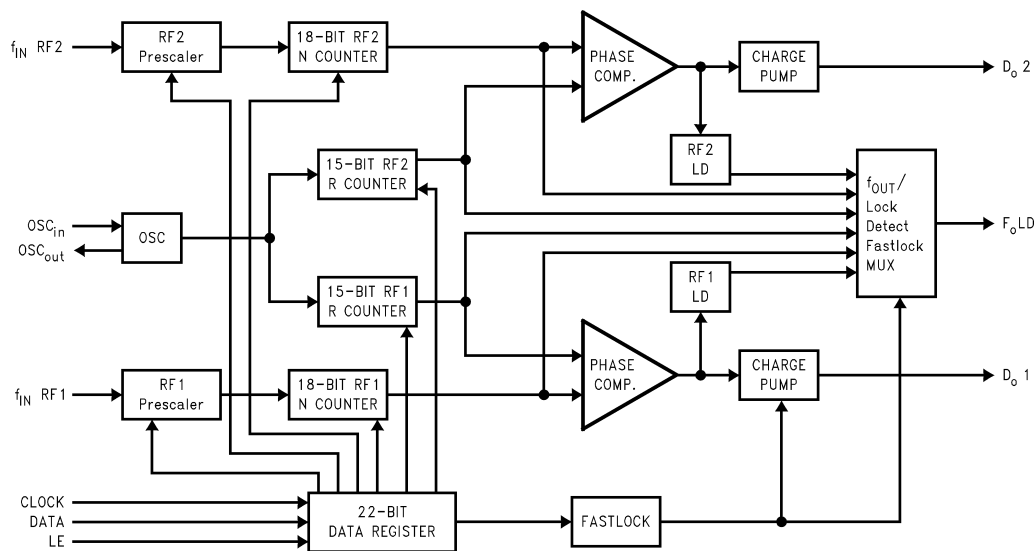
## Features

- 2.7V to 5.5V operation
- Low current consumption
- Selectable powerdown mode:  
 $I_{CC} = 1 \mu A$  (typ)
- Dual modulus prescaler: 64/65 or 128/129
- Selectable charge pump TRI-STATE® mode
- Selectable charge pump current levels
- Selectable FastLock™ mode

## Applications

- Cellular telephone systems (AMPS, ETACS, RCR-27)
- Cordless telephone systems (DECT, ISM, PHS, CT-1+)
- Personal Communication Systems (DCS-1800, PCN-1900)
- Dual Mode PCS phones
- CATV
- Other wireless communication systems

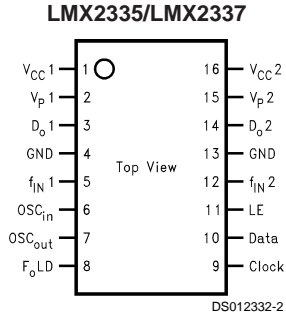
## Functional Block Diagram



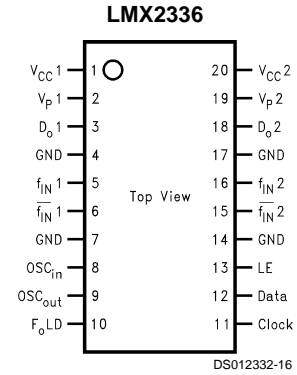
DS012332-1

TRI-STATE® is a registered trademark of National Semiconductor Corporation.  
Fastlock™, MICROWIRE™ and PLLatinum™ are trademarks of National Semiconductor Corporation.

## Connection Diagrams



**Order Number LMX2335M/LMX2335TM or  
LMX2337M/LMX2337TM**  
NS Package Number M16A and MTC16



**Order Number LMX2336TM**  
NS Package Number MTC20

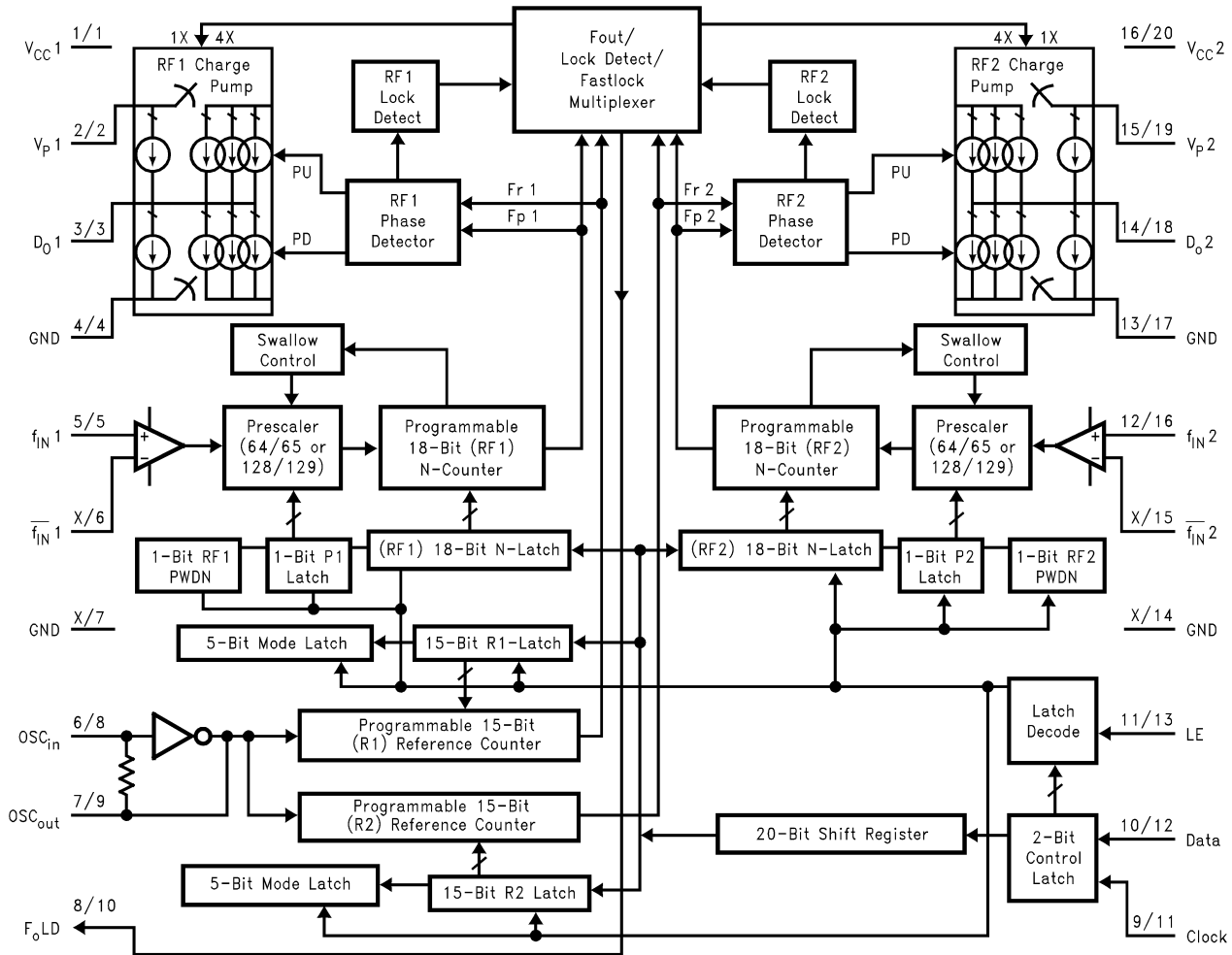
## Pin Descriptions

Pin No. 2335/37	Pin No. 2336	Pin Name	I/O	Description
1	1	V <sub>CC1</sub>		Power supply voltage input for RF1 analog and RF1 digital circuits. Input may range from 2.7V to 5.5V. V <sub>CC1</sub> must equal V <sub>CC2</sub> . Bypass capacitors should be placed as close as possible to this pin and be connected directly to the ground plane.
2	2	V <sub>P1</sub>		Power supply for RF1 charge pump. Must be ≥ V <sub>CC</sub> .
3	3	D <sub>O1</sub>	O	RF1 charge pump output. For connection to a loop filter for driving the input of an external VCO.
4	4	GND		LMX2335/37: Ground for RF1 analog and RF1 digital circuits. LMX2336: Ground for RF digital circuitry.
5	5	f <sub>IN1</sub>	I	First RF prescaler input. Small signal input from the VCO.
X	6	f <sub>IN1</sub>	I	RF1 prescaler complementary input. A bypass capacitor should be placed as close as possible to this pin and be connected directly to the ground plane. Capacitor is optional with loss of some sensitivity.
X	7	GND		Ground for RF1 analog circuitry.
6	8	OSC <sub>in</sub>	I	Oscillator input. The input has a V <sub>CC</sub> /2 input threshold and can be driven from an external CMOS or TTL logic gate.
7	9	OSC <sub>out</sub>	O	Oscillator output.
8	10	F <sub>O</sub> LD	O	Multiplexed output of the programmable or reference dividers, lock detect signals and Fastlock mode. CMOS output ( <i>see Programmable Modes</i> ).
9	11	Clock	I	High impedance CMOS Clock input. Data for the various latches is clocked in on the rising edge, into the 20-bit shift register.
10	12	Data	I	Binary serial data input. Data entered MSB first. The last two bits are the control bits. High impedance CMOS input.
11	13	LE	I	Load enable high impedance CMOS input. When LE goes HIGH, data stored in the shift registers is loaded into one of the 4 appropriate latches (control bit dependent).
X	14	GND		Ground for RF2 analog circuitry.
X	15	f <sub>IN2</sub>	I	RF2 prescaler complementary input. A bypass capacitor should be placed as close as possible to this pin and be connected directly to the ground plane. Capacitor is optional with loss of some sensitivity.
12	16	f <sub>IN2</sub>	I	RF2 prescaler input. Small signal input from the VCO.
13	17	GND		LMX2335/37: Ground for RF2 analog, RF2 digital, MICROWIRE™, F <sub>O</sub> LD and Oscillator circuits. LMX2336: Ground for RF2 digital, MICROWIRE, F <sub>O</sub> LD and Oscillator circuits.
14	18	D <sub>O2</sub>	O	RF2 charge pump output. For connection to a loop filter for driving the input of an external VCO.
15	19	V <sub>P2</sub>		Power supply for RF2 charge pump. Must be ≥ V <sub>CC</sub> .

## Pin Descriptions (Continued)

Pin No.	Pin No.	Pin Name	I/O	Description
2335/37	2336	V <sub>CC2</sub>		Power supply voltage input for RF2 analog, RF2 digital, MICROWIRE, F <sub>o</sub> LD and Oscillator circuits. Input may range from 2.7V to 5.5V. V <sub>CC2</sub> must equal V <sub>CC1</sub> . Bypass capacitors should be placed as close as possible to this pin and be connected directly to the ground plane.

## Block Diagram



DS012332-17

**Note:** V<sub>CC1</sub> supplies power to the RF1 prescaler, N-counter, R-counter, and phase detector. V<sub>CC2</sub> supplies power to the RF2 prescaler, N-counter, phase detector, R-counter along with the OSC<sub>in</sub> buffer, MICROWIRE, and F<sub>o</sub>LD. V<sub>CC1</sub> and V<sub>CC2</sub> are clamped to each other by diodes and must be run at the same voltage level.

V<sub>p1</sub> and V<sub>p2</sub> can be run separately as long as V<sub>p</sub> ≥ V<sub>CC</sub>.

LMX2335/37 Pin # → 8/10 ← LMX2336 Pin #  
Pin Name → F<sub>o</sub>LD

X signifies a function not available

**Absolute Maximum Ratings** (Notes 1, 2)

If Military/Aerospace specified devices are required, please contact the National Semiconductor Sales Office/Distributors for availability and specifications.

Power Supply Voltage

$$V_{CC} \quad -0.3V \text{ to } +6.5V$$

$$V_P \quad -0.3V \text{ to } +6.5V$$

Voltage on Any Pin

$$\text{with GND} = 0V (V_I) \quad -0.3V \text{ to } V_{CC} + 0.3V$$

Storage Temperature Range ( $T_S$ )

$$-65^\circ\text{C to } +150^\circ\text{C}$$

Lead Temperature (solder 4 sec.) ( $T_L$ )

$$+260^\circ\text{C}$$

**Recommended Operating Conditions**

Power Supply Voltage

$$V_{CC} \quad 2.7V \text{ to } 5.5V$$

$$V_P \quad V_{CC} \text{ to } +5.5V$$

Operating Temperature ( $T_A$ )

$$-40^\circ\text{C to } +85^\circ\text{C}$$

**Electrical Characteristics**
 $V_{CC} = 5.0V, V_P = 5.0V; T_A = 25^\circ\text{C}$ , except as specified

Symbol	Parameter		Conditions	Value			Units
				Min	Typ	Max	
$I_{CC}$	Power Supply Current	LMX2335/37 RF1 and RF2	$V_{CC} = 2.7V \text{ to } 5.5V$		10	15	mA
$I_{CC}$		LMX2335/37 RF1 only			6	8	mA
$I_{CC}$		LMX2336 RF1 and RF2			13	18	mA
$I_{CC}$		LMX2336 RF1 only			7	11	mA
$f_{IN1}$	Operating Frequency	LMX2335		0.100		1.1	GHz
$f_{IN2}$						1.1	GHz
$f_{IN1}$		LMX2336		0.200		2.0	GHz
$f_{IN2}$						1.1	GHz
$f_{IN1}$		LMX2337		100		550	MHz
$f_{IN2}$					50		550
$I_{CC-PWDN}$	Powerdown Current	LMX2335/2336	$V_{CC} = 5.5V$		1	25	$\mu\text{A}$
$I_{CC-PWDN}$		LMX2337				100	
$f_{OSC}$	Oscillator Frequency		With resonator load on $OSC_{out}$	5		20	MHz
$f_{OSC}$			No load on $OSC_{OUT}$	5		40	MHz
$f_\phi$	Phase Detector Frequency					10	MHz
$Pf_{IN1}$ and $Pf_{in2}$	RF Input Sensitivity		$V_{CC} = 3.0V, f > 100 \text{ MHz}$	-15		+4	dBm
			$V_{CC} = 5.0V, f > 100 \text{ MHz}$	-10		+4	
			$V_{CC} = 2.7 \text{ to } 5.5V,$ $f > 100 \text{ MHz}$	-10		0	
$V_{OSC}$	Oscillator Sensitivity	$OSC_{IN}$		0.5			$V_{PP}$
$V_{IH}$	High-Level Input Voltage	(Note 4)		0.8			V
$V_{IL}$	Low-Level Input Voltage	(Note 4)				0.2	V
$I_{IH}$	High-Level Input Current	$V_{IH} = V_{CC} = 5.5V$ (Note 4)		-1.0		1.0	$\mu\text{A}$
$I_{IL}$	Low-Level Input Current	$V_{IL} = 0V, V_{CC} = 5.5V$ (Note 4)		-1.0		1.0	$\mu\text{A}$
$I_{IH}$	Oscillator Input Current	$V_{IH} = V_{CC} = 5.5V$				100	$\mu\text{A}$
$I_{IL}$	Oscillator Input Current	$V_{IL} = 0V, V_{CC} = 5.5V$		-100			$\mu\text{A}$
$I_{D_0-SOURCE}$	Charge Pump Output Current	$V_{D_0} = V_P/2, I_{CP_0} = \text{LOW}$ (Note 3)			-1.25		mA
$I_{D_0-SINK}$		$V_{D_0} = V_P/2, I_{CP_0} = \text{LOW}$ (Note 3)			1.25		mA
$I_{D_0-SOURCE}$		$V_{D_0} = V_P/2, I_{CP_0} = \text{HIGH}$ (Note 3)			-5.0		mA
$I_{D_0-SINK}$		$V_{D_0} = V_P/2, I_{CP_0} = \text{HIGH}$ (Note 3)			5.0		mA

## Electrical Characteristics (Continued)

$V_{CC} = 5.0V$ ,  $V_p = 5.0V$ ;  $T_A = 25^\circ C$ , except as specified

Symbol	Parameter		Conditions	Value			Units
				Min	Typ	Max	
$I_{D_0-TRI}$	Charge Pump TRI-STATE CURRENT	LMX2335 LMX2336	$0.5V \leq V_{D_0} \leq V_p - 0.5V$ $T = 25^\circ C$	-5.0		5.0	nA
$I_{D_0-TRI}$	Charge Pump TRI-STATE CURRENT	LMX2337	$0.5V \leq V_{D_0} \leq V_p - 0.5V$ $T = 25^\circ C$		$\pm 5$		nA
$V_{OH}$	High-Level Output Voltage		$I_{OH} = -500 \mu A$	$V_{CC} - 0.4$			V
$V_{OL}$	Low-Level Output Voltage		$I_{OL} = 500 \mu A$			0.4	V
$t_{CS}$	Data to Clock Setup Time		See Data Input Timing	50			ns
$t_{CH}$	Data to Clock Hold Time		See Data Input Timing	10			ns
$t_{CWH}$	Clock Pulse Width High		See Data Input Timing	50			ns
$t_{CWL}$	Clock Pulse Width Low		See Data Input Timing	50			ns
$t_{ES}$	Clock to Load Enable Set Up Time		See Data Input Timing	50			ns
$t_{EW}$	Load Enable Pulse Width		See Data Input Timing	50			ns

**Note 1:** Absolute Maximum Ratings indicate limits beyond which damage to the device may occur. Recommended Operating Conditions indicate conditions for which the device is intended to be functional, but do not guarantee specific performance limits. For guaranteed specifications and test conditions, see the Electrical Characteristics. The guaranteed specifications apply only for the test conditions listed.

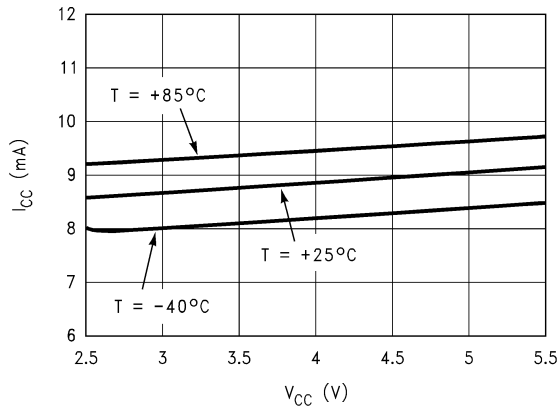
**Note 2:** This device is a high performance RF integrated circuit with an ESD rating  $< 2$  keV and is ESD sensitive. Handling and assembly of this device should only be done at ESD protected workstations.

**Note 3:** See PROGRAMMABLE MODES for  $I_{CP_0}$  description.

**Note 4:** Clock, Data and LE does not include  $f_{IN1}$ ,  $f_{IN2}$  and  $OSC_{in}$ .

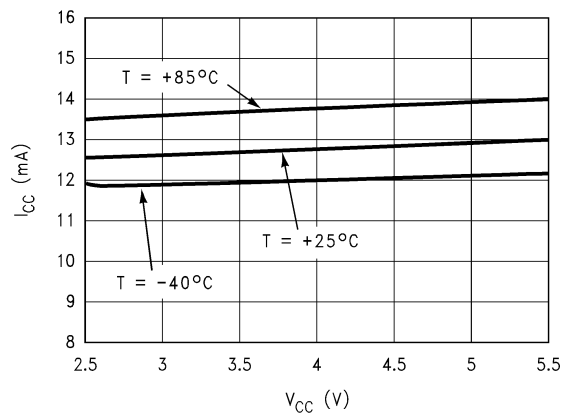
## Typical Performance Characteristics

**$I_{CC}$  vs  $V_{CC}$**   
**LMX2335/37**



DS012332-19

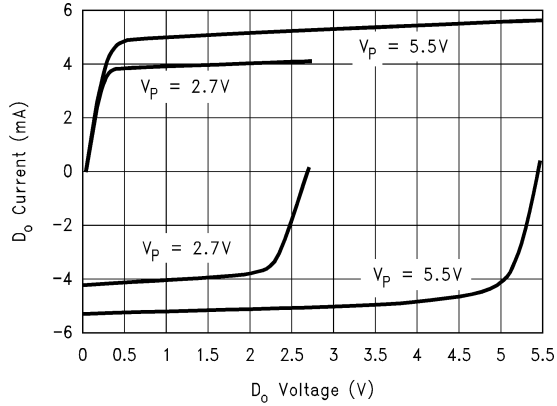
**$I_{CC}$  vs  $V_{CC}$**   
**LMX2336**



DS012332-20

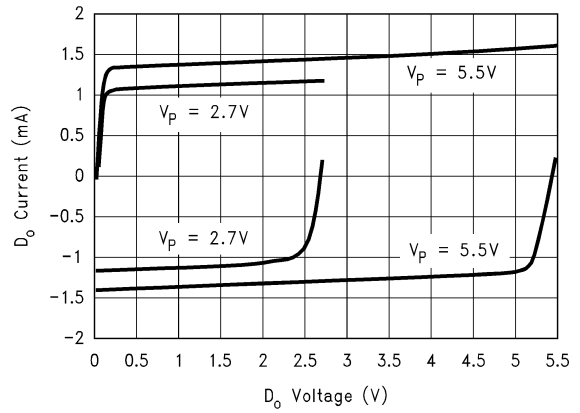
## Typical Performance Characteristics (Continued)

**Charge Pump Current vs  $D_o$  Voltage**  
 $I_{CP} = \text{HIGH}$



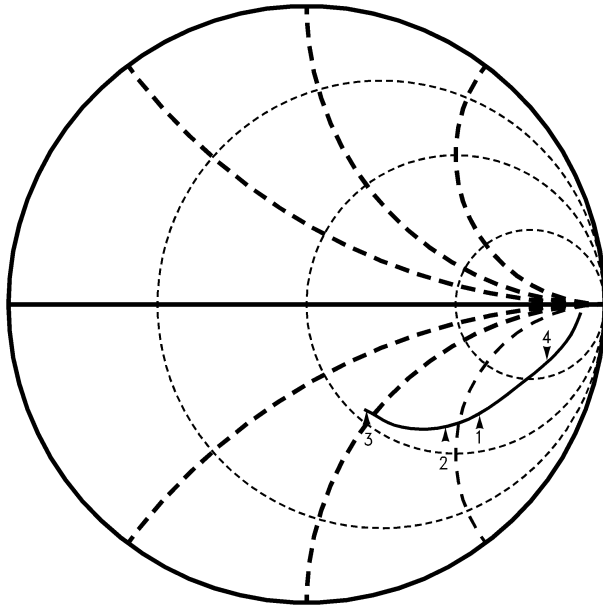
DS012332-21

**Charge Pump Current vs  $D_o$  Voltage**  
 $I_{CP} = \text{LOW}$



DS012332-22

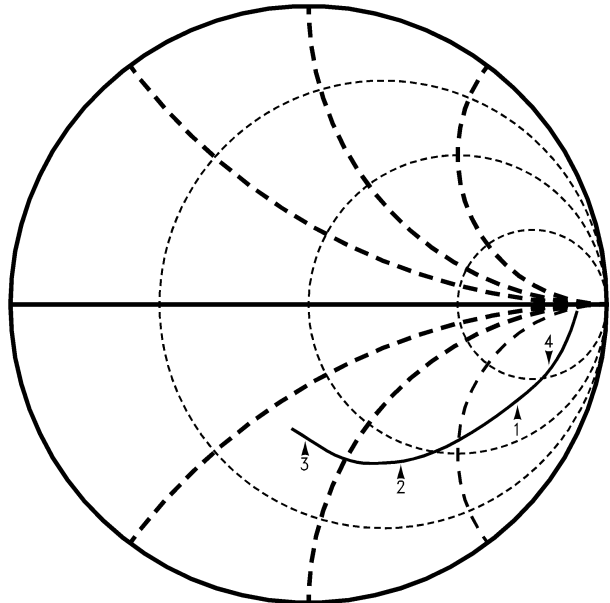
**LMX2335/37 Input Impedance (for SO package)**  
 $V_{CC} = 2.7\text{V to }5.5\text{V}$ ,  $f_{IN} = 50\text{ MHz to }1.5\text{ GHz}$



DS012332-23

Marker 1 = 1 GHz, Real = 94, Imaginary = -118  
 Marker 2 = 1.2 GHz, Real = 72, Imaginary = -88  
 Marker 3 = 1.5 GHz, Real = 53, Imaginary = -45  
 Marker 4 = 500 MHz, Real = 201, Imaginary = -224

**LMX2335/37 Input Impedance (for TSSOP package)**  
**LMX2336 Input Impedance**  $V_{CC} = 2.7\text{V to }5.5\text{V}$ ,  
 $f_{IN} = 50\text{ MHz to }2.5\text{ GHz}$

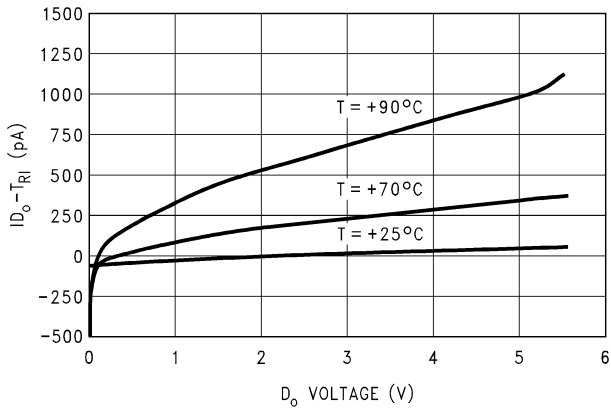


DS012332-24

Marker 1 = 1 GHz, Real = 97, Imaginary = -146  
 Marker 2 = 1.89 GHz, Real = 43, Imaginary = -67  
 Marker 3 = 2.5 GHz, Real = 30, Imaginary = -33  
 Marker 4 = 500 MHz, Real = 189, Imaginary = -233

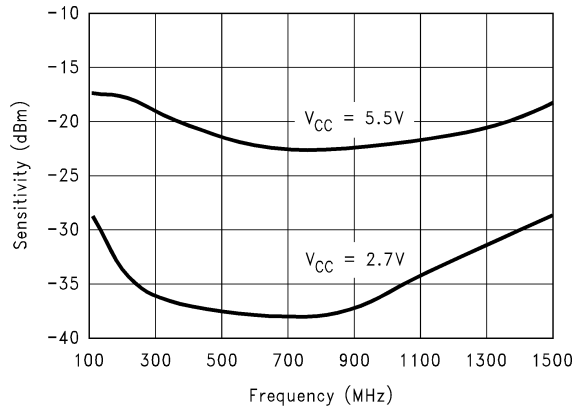
# Typical Performance Characteristics (Continued)

**I<sub>Do</sub> TRI-STATE vs D<sub>o</sub> Voltage**



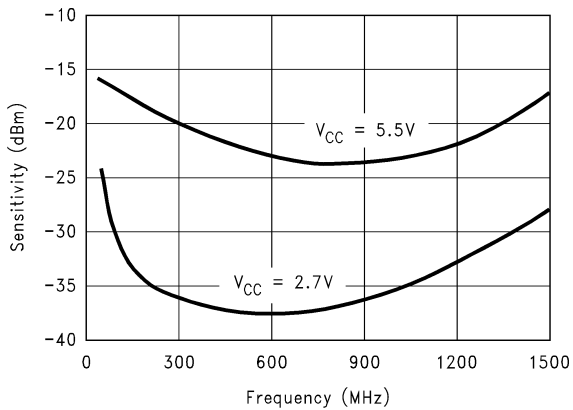
DS012332-25

**LMX2335/37 RF1 Sensitivity vs Frequency**



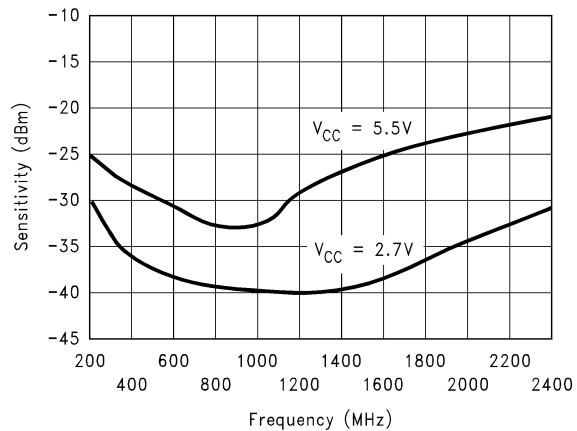
DS012332-26

**LMX2335/37 RF2 Sensitivity vs Frequency**



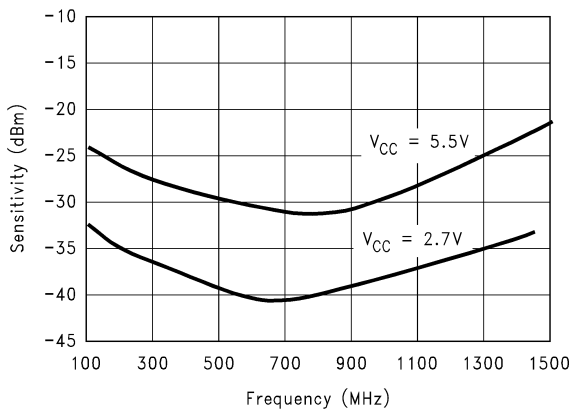
DS012332-27

**LMX2336 RF1 Sensitivity vs Frequency**



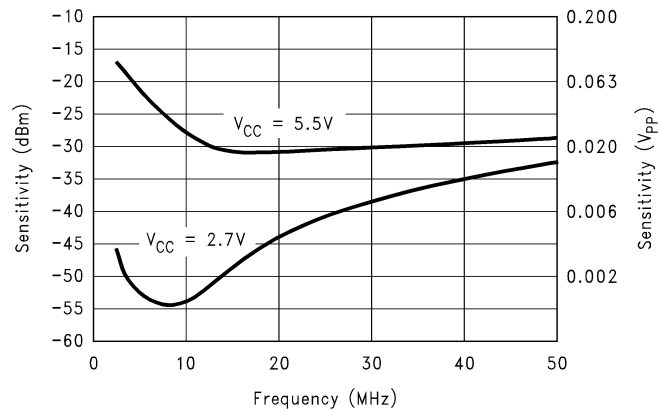
DS012332-28

**LMX2336 RF2 Sensitivity vs Frequency**



DS012332-29

**Oscillator Input Sensitivity vs Frequency**

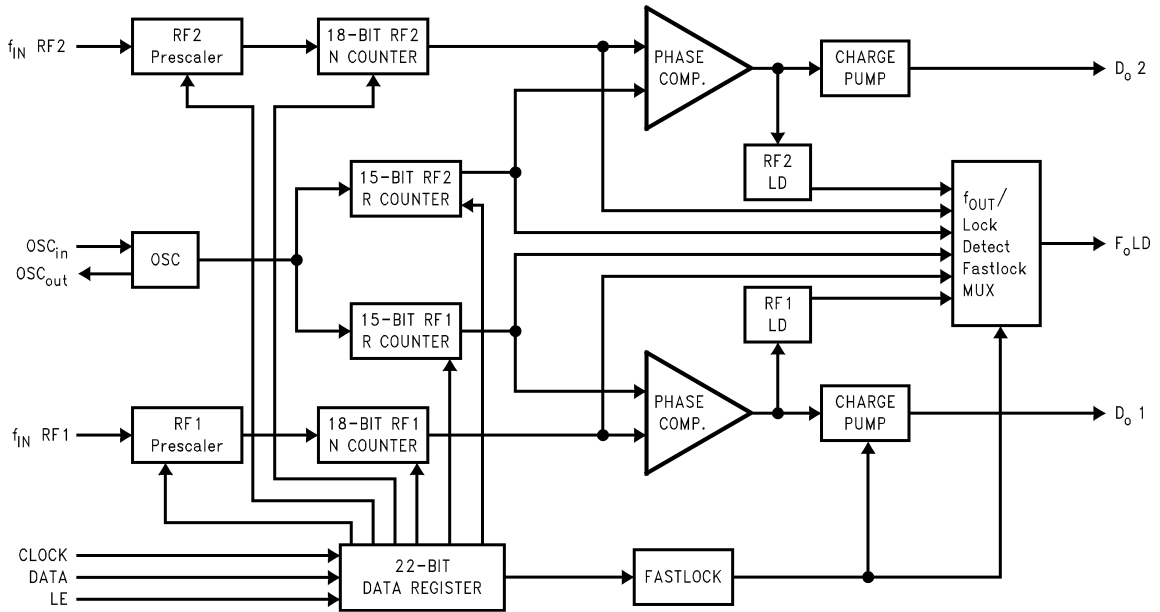


DS012332-30

## Functional Description

The simplified block diagram below shows the 22-bit data register, two 15-bit R Counters and two 18-bit N Counters (intermediate latches are not shown). The data stream is clocked (on the rising edge of Clock) into the DATA register, MSB first. The data stored in the shift register is loaded into one of the 4 appropriate latches on the rising edge of LE. The last two bits are the Control Bits. The DATA is transferred into the counters as follows:

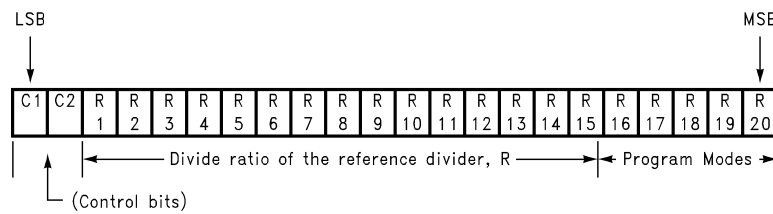
Control Bits		DATA Location
C1	C2	
0	0	RF2 R Counter
0	1	RF1 R Counter
1	0	RF2 N Counter
1	1	RF1 N Counter



DS012332-1

### PROGRAMMABLE REFERENCE DIVIDERS (RF1 AND RF2 R COUNTERS)

If the Control Bits are 00 or 01 (00 for RF2 and 01 for RF1) data is transferred from the 22-bit shift register into a latch which sets the 15-bit R Counter. Serial data format is shown below.



DS012332-4

### 15-BIT PROGRAMMABLE REFERENCE DIVIDER RATIO (R COUNTER)

Divide Ratio	R 15	R 14	R 13	R 12	R 11	R 10	R 9	R 8	R 7	R 6	R 5	R 4	R 3	R 2	R 1
3	0	0	0	0	0	0	0	0	0	0	0	0	0	1	1
4	0	0	0	0	0	0	0	0	0	0	0	0	1	0	0
•	•	•	•	•	•	•	•	•	•	•	•	•	•	•	•
32767	1	1	1	1	1	1	1	1	1	1	1	1	1	1	1

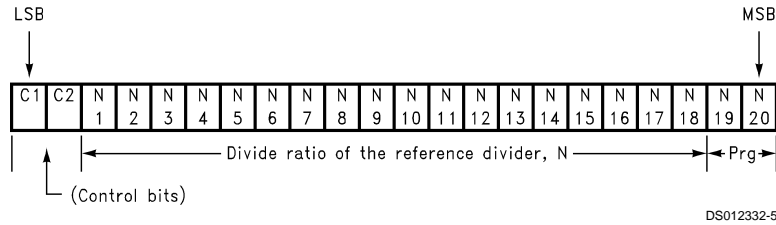
**Notes:** Divide ratios less than 3 are prohibited.  
 Divide ratio: 3 to 32767  
 R1 to R15: These bits select the divide ratio of the programmable reference divider.  
 Data is shifted in MSB first.



## Functional Description (Continued)

### PROGRAMMABLE DIVIDER (N COUNTER)

Each N counter consists of the 7-bit swallow counter (A counter) and the 11-bit programmable counter (B counter). If the Control Bits are 10 or 11 (10 for RF2 counter and 11 for RF1 counter) data is transferred from the 20-bit shift register into a 7-bit latch (which sets the Swallow (A) Counter) and an 11-bit latch (which sets the 11-bit programmable (B) Counter), MSB first. Serial data format is shown below.



### 7-BIT SWALLOW COUNTER DIVIDE RATIO (A COUNTER)

Divide Ratio A	N 7	N 6	N 5	N 4	N 3	N 2	N 1
0	0	0	0	0	0	0	0
1	0	0	0	0	0	0	1
•	•	•	•	•	•	•	•
127	1	1	1	1	1	1	1

**Notes:** Divide ratio: 0 to 127  
 $B \geq A$   
 $A < P$

### 11-BIT PROGRAMMABLE COUNTER DIVIDE RATIO (B COUNTER)

Divide Ratio B	N 18	N 17	N 16	N 15	N 14	N 13	N 12	N 11	N 10	N 9	N 8
3	0	0	0	0	0	0	0	0	0	1	1
4	0	0	0	0	0	0	0	0	1	0	0
•	•	•	•	•	•	•	•	•	•	•	•
2047	1	1	1	1	1	1	1	1	1	1	1

**Notes:** Divide ratio: 3 to 2047 (Divide ratios less than 3 are prohibited)  
 $B \geq A$

### PULSE SWALLOW FUNCTION

$$f_{VCO} = [(P \times B) + A] \times f_{OSC}/R$$

$f_{VCO}$ : Output frequency of external voltage controlled oscillator (VCO)

B: Preset divide ratio of binary 11-bit programmable counter (3 to 2047)

A: Preset divide ratio of binary 7-bit swallow counter  
 $(0 \leq A \leq P; A \leq B)$

$f_{OSC}$ : Output frequency of the external reference frequency oscillator

R: Preset divide ratio of binary 15-bit programmable reference counter (3 to 32767)

P: Preset modulus of dual modulus prescaler ( $P = 64$  or  $128$ )

### PROGRAMMABLE MODES

Several modes of operation can be programmed with bits R16–R20 including the phase detector polarity, charge pump tristate and the output of the  $F_{oLD}$  pin. The prescaler and power down modes are selected with bits N19 and N20. The programmable modes are shown in *Table 1*. Truth table for the programmable modes and  $F_{oLD}$  output are shown in *Tables 2, 3*.

## Functional Description (Continued)

**TABLE 1. Programmable Modes**

C1	C2	R16	R17	R18	R19	R20
0	0	RF2 Phase Detector Polarity	RF2 I <sub>CPo</sub>	RF2 D <sub>o</sub> TRI-STATE	RF2 LD	RF2 F <sub>o</sub>
0	1	RF1 Phase Detector Polarity	RF1 I <sub>CPo</sub>	RF1 D <sub>o</sub> TRI-STATE	RF1 LD	RF1 F <sub>o</sub>

C1	C2	N19	N20
1	0	RF2 Prescaler	Pwdn RF2
1	1	RF1 Prescaler	Pwdn RF1

**TABLE 2. Mode Select Truth Table**

	Phase Detector Polarity (Note 7)	D <sub>o</sub> TRI-STATE	I <sub>CPo</sub> (Note 5)	RF1 Prescaler	RF2 Prescaler	Pwdn (Note 6)
0	Negative	Normal Operation	LOW	64/65	64/65	pwr d up
1	Positive	TRI-STATE	HIGH	128/129	128/129	pwr d dn

**Note 5:** The I<sub>CPo</sub> LOW current state = 1/4 x I<sub>CPo</sub> HIGH current.

**Note 6:** Activation of the RF2 PLL or RF1 PLL powerdown modes result in the disabling of the respective N counter divider and debiasing of its respective f<sub>IN</sub> inputs (to a high impedance state). The powerdown function is gated by the charge pump to prevent unwanted frequency jumps. Once the powerdown program mode is loaded, the part will go into powerdown mode when the charge pump reaches a TRI-STATE condition. The R counter and Oscillator functionality does not become disabled until *both* RF2 and RF1 powerdown bits are activated. The OSC<sub>in</sub> is connected to V<sub>CC</sub> through 100 kΩ resistor and the OSC<sub>out</sub> goes HIGH when this condition exists. The MICROWIRE control register remains active and capable of loading and latching data during all of the powerdown modes.

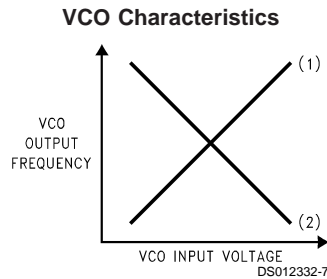
**Note 7:** PHASE DETECTOR POLARITY

Depending upon VCO characteristics, the R16 bits should be set accordingly:

When VCO characteristics are positive like (1), R16 should be set HIGH;

When VCO characteristics are negative like (2), R16 should be set LOW.

**Note 8:**



**TABLE 3. The F<sub>o</sub>LD Output Truth Table**

RF1 R[19] (RF1 LD)	RF2 R[19] (RF2 LD)	RF1 R[20] (RF1 F <sub>o</sub> )	RF2 R[20] (RF2 F <sub>o</sub> )	F <sub>o</sub> LD Output State
0	0	0	0	Disabled (Note 9)
0	1	0	0	RF2 Lock Detect (Note 10)
1	0	0	0	RF1 Lock Detect (Note 10)
1	1	0	0	RF1/RF2 Lock Detect (Note 10)
X	0	0	1	RF2 Reference Divider Output
X	0	1	0	RF1 Reference Divider Output
X	1	0	1	RF2 Programmable Divider Output
X	1	1	0	RF1 Programmable Divider Output
0	0	1	1	Fastlock (Note 11)
0	1	1	1	For Internal use only
1	0	1	1	For Internal use only
1	1	1	1	Counter Reset (Note 12)

X—don't care condition

## Functional Description (Continued)

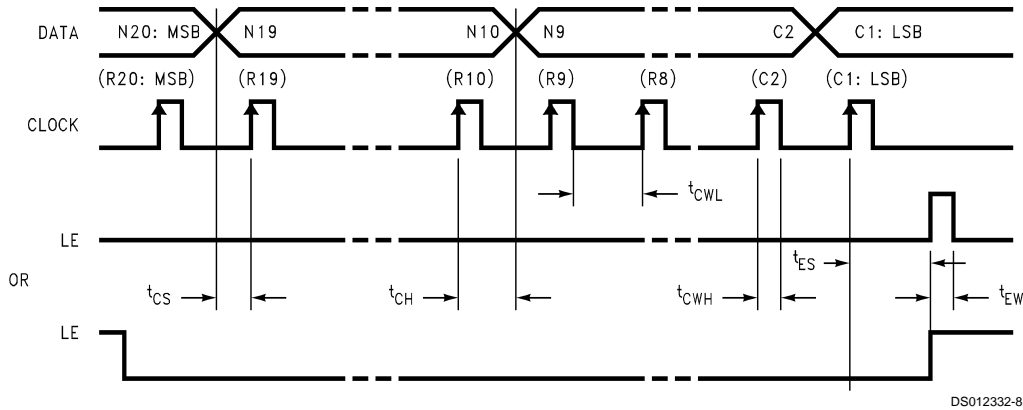
**Note 9:** When the F<sub>o</sub>LD output is disabled it is actively pulled to a low logic state.

**Note 10:** Lock detect output provided to indicate when the VCO frequency is in "lock". When the loop is locked and a lock detect mode is selected, the pins output is HIGH, with narrow pulses LOW. In the RF1/RF2 lock detect mode a locked condition is indicated when RF2 and RF1 are both locked.

**Note 11:** The Fastlock mode utilized the F<sub>o</sub>LD output pin to switch a second loop filter damping resistor to ground during fastlock operation. Activation of Fastlock occurs whenever the RF loop's Icp magnitude bit #17 is selected HIGH (while the #19 and #20 mode bits are set for Fastlock).

**Note 12:** The Counter Reset mode bits R19 and R20 when activated reset all counters. Upon removal of the Reset bits the N counter resumes counting in "close" alignment with the R counter. (The maximum error is one prescaler cycle). If the Reset bits are activated the R counter is also forced to Reset, allowing smooth acquisition upon powering up.

### SERIAL DATA INPUT TIMING

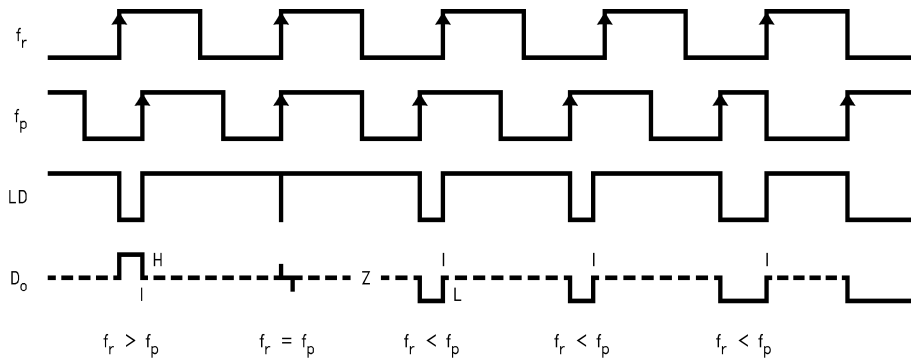


**Notes:** Parenthesis data indicates programmable reference divider data. Data shifted into register on clock rising edge.

Data is shifted in MSB first.

**Test Conditions:** The Serial Data Input Timing is tested using a symmetrical waveform around  $V_{CC}/2$ . The test waveform has an edge rate of 0.6V/ns with amplitudes of 2.2V @  $V_{CC} = 2.7V$  and 2.6V @  $V_{CC} = 5.5V$ .

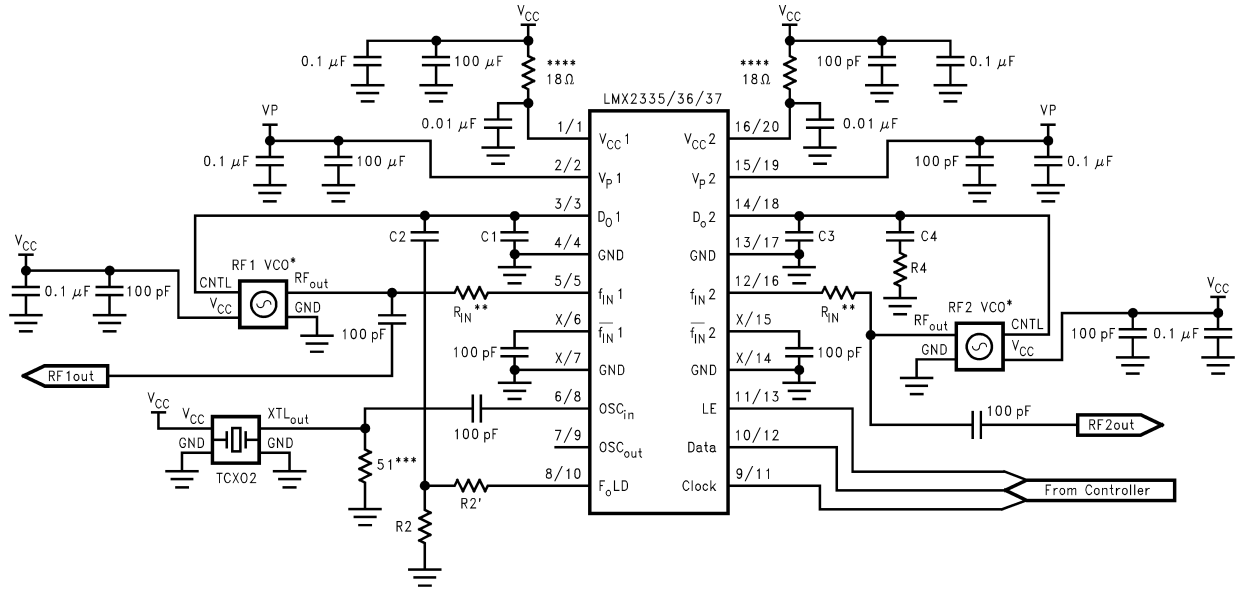
### PHASE COMPARATOR AND INTERNAL CHARGE PUMP CHARACTERISTICS



**Notes:** Phase difference detection range:  $-2\pi$  to  $+2\pi$

The minimum width pump up and pump down current pulses occur at the D<sub>o</sub> pin when the loop is locked.

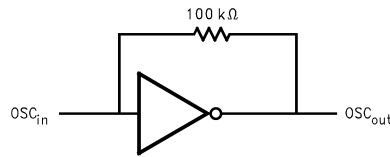
## Typical Application Example



DS012332-10

### Operational Notes:

- \* VCO is assumed AC coupled.
- \*\*  $R_{IN}$  increases impedance so that VCO output power is provided to the load rather than the PLL. Typical values are  $10\Omega$  to  $200\Omega$  depending on the VCO power level.  $f_{IN}$  RF impedance ranges from  $40\Omega$  to  $100\Omega$ .  $f_{IN}$  IF impedances are higher.
- \*\*\*  $50\Omega$  termination is often used on test boards to allow use of external reference oscillator. For most typical products a CMOS clock is used and no terminating resistor is required.  $OSC_{in}$  may be AC or DC coupled. AC coupling is recommended because the input circuit provides its own bias. (See Figure below).
- \*\*\*\* Adding RC filters to the  $V_{CC}$  lines is recommended to reduce loop-to-loop coupling.



DS012332-11

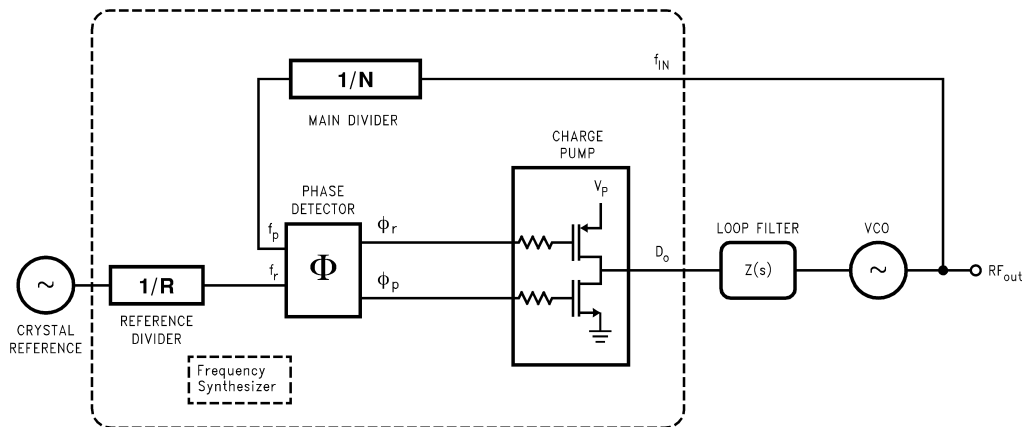
### Application Hints:

Proper use of grounds and bypass capacitors is essential to achieve a high level of performance. Crosstalk between pins can be reduced by careful board layout.

This is an electrostatic sensitive device. It should be handled only at static free work stations.

## Application Information

A block diagram of the basic phase locked loop is shown in Figure 1.



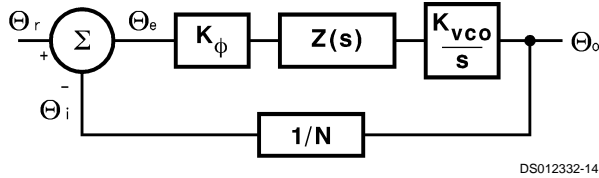
DS012332-12

FIGURE 1. Conventional PLL Architecture

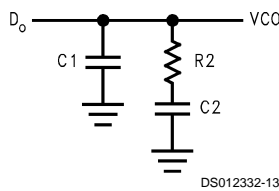
## Application Information (Continued)

### Loop Gain Equations

A linear control system model of the phase feedback for a PLL in the locked state is shown in *Figure 2*. The open loop gain is the product of the phase comparator gain ( $K_\phi$ ), the VCO gain ( $K_{VCO}/s$ ), and the loop filter gain  $Z(s)$  divided by the gain of the feedback counter modulus ( $N$ ). The passive loop filter configuration used is displayed in *Figure 3*, while the complex impedance of the filter is given in *Equation (2)*.



**FIGURE 2. PLL Linear Model**



**FIGURE 3. Passive Loop Filter**

$$\text{Open loop gain} = H(s)G(s) = \frac{\Theta_i}{\Theta_e} = \frac{K_\phi Z(s)K_{VCO}}{Ns} \quad (1)$$

$$Z(s) = \frac{s(C2 \cdot R2) + 1}{s^2(C1 \cdot C2 \cdot R2) + sC1 + sC2} \quad (2)$$

The time constants which determine the pole and zero frequencies of the filter transfer function can be defined as

$$T1 = R2 \cdot \frac{C1 \cdot C2}{C1 + C2} \quad (3)$$

$$T2 = R2 \cdot C2 \quad (4)$$

The 3rd order PLL Open Loop Gain can be calculated in terms of frequency,  $\omega$ , the filter time constants  $T1$  and  $T2$ , and the design constants  $K_\phi$ ,  $K_{VCO}$ , and  $N$ .

$$G(s) \cdot H(s) \Big|_{s=j\omega} = \frac{-K_\phi \cdot K_{VCO} (1 + j\omega \cdot T2)}{\omega^2 C1 \cdot N (1 + j\omega \cdot T1)} \cdot \frac{T1}{T2} \quad (5)$$

From *Equation (3)* we can see that the phase term will be dependent on the single pole and zero such that the phase margin is determined in *Equation (5)*.

$$\phi(\omega) = \tan^{-1}(\omega \cdot T2) - \tan^{-1}(\omega \cdot T1) + 180^\circ C \quad (6)$$

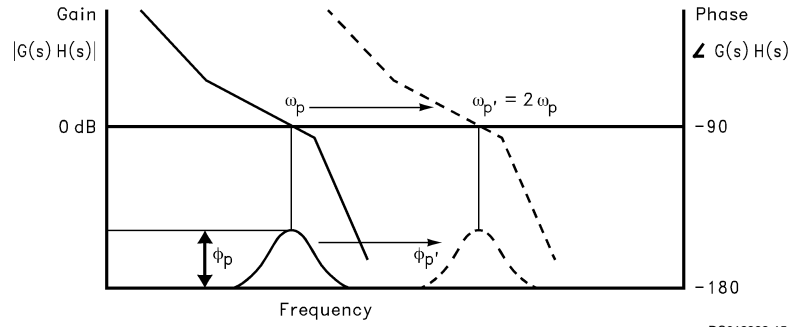
A plot of the magnitude and phase of  $G(s)H(s)$  for a stable loop, is shown in *Figure 4* with a solid trace. The parameter  $\phi_p$  shows the amount of phase margin that exists at the point the gain drops below zero (the cutoff frequency  $\omega_p$  of the loop). In a critically damped system, the amount of phase margin would be approximately 45 degrees.

If we were now to redefine the cut off frequency,  $\omega_p'$ , as double the frequency which gave us our original loop bandwidth,  $\omega_p$ , the loop response time would be approximately halved. Because the filter attenuation at the comparison frequency also diminishes, the spurs would have increased by approximately 6 dB. In the proposed Fastlock scheme, the higher spur levels and wider loop filter conditions would exist only during the initial lock-on phase—just long enough to reap the benefits of locking faster. The objective would be to open up the loop bandwidth but not introduce any additional complications or compromises related to our original design criteria. We would ideally like to momentarily shift the curve *Figure 4* over to a different cutoff frequency, illustrated by dotted line, without affecting the relative open loop gain and phase relationships. To maintain the same gain/phase relationship at twice the original cutoff frequency, other terms in the gain and phase *Equations (5)*, *(6)* will have to compensate by the corresponding “ $1/w$ ” or “ $1/w^2$ ” factor. Examination of *Equations (3)*, *(4)*, *(5)* indicates the damping resistor variable  $R2$  could be chosen to compensate with “ $w$ ” terms for the phase margin. This implies that another resistor of equal value to  $R2$  will need to be switched in parallel with  $R2$  during the initial lock period. We must also ensure that the magnitude of the open loop gain,  $H(s)G(s)$  is equal to zero at  $\omega_p' = 2\omega_p$ .  $K_{VCO}$ ,  $K_\phi$ ,  $N$ , or the net product of these terms can be changed by a factor of 4, to counteract with  $w^2$  term present in the denominator of *Equations (3)*, *(4)*. The  $K_\phi$  term was chosen to complete the transformation because it can readily be switched between 1X and 4X values. This is accomplished by increasing the charge pump output current from 1 mA in the standard mode to 4 mA in Fastlock.

### Fastlock Circuit Implementation

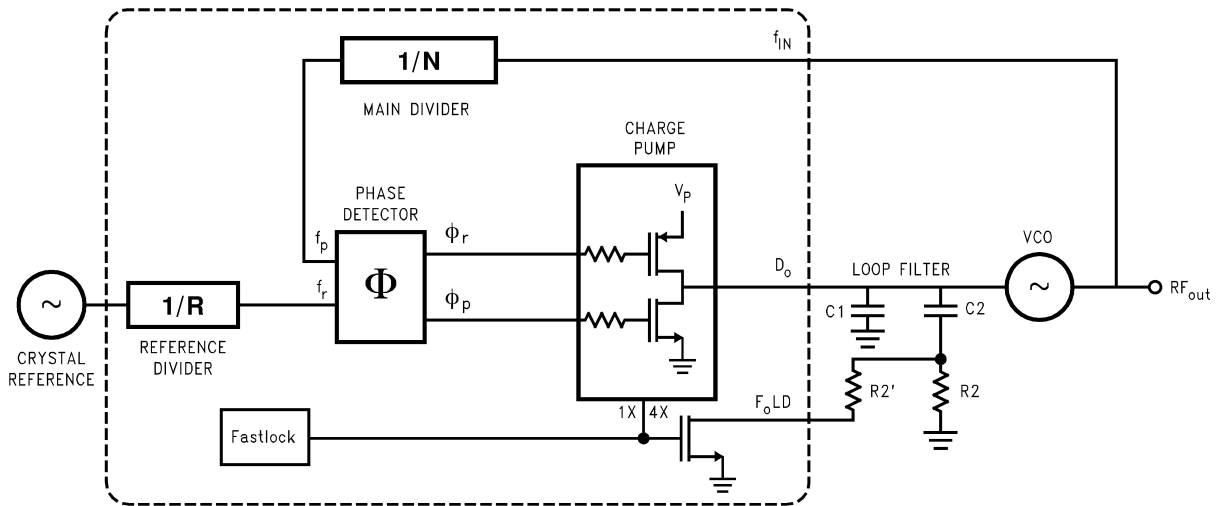
A diagram of the Fastlock scheme as implemented in National Semiconductors LMX2335/36/37 PLL is shown in *Figure 5*. When a new frequency is loaded, and the RF1  $I_{CP0}$  bit is set high, the charge pump circuit receives an input to deliver 4 times the normal current per unit phase error while an open drain NMOS on chip device switches in a second  $R2$  resistor element to ground. The user calculates the loop filter component values for the normal steady state considerations. The device configuration ensures that as long as a second identical damping resistor is wired in appropriately, the loop will lock faster without any additional stability considerations to account for. Once locked on the correct frequency, the user can return the PLL to standard low noise operation by sending a MICROWIRE instruction with the RF1  $I_{CP0}$  bit set low. This transition does not affect the charge on the loop filter capacitors and is enacted synchronous with the charge pump output. This creates a nearly seamless change between Fastlock and standard mode.

Application Information (Continued)



DS012332-15

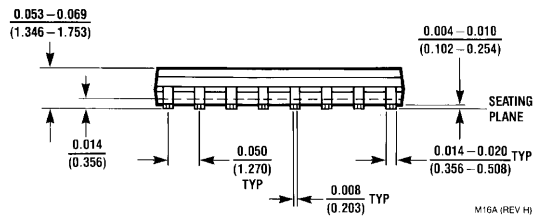
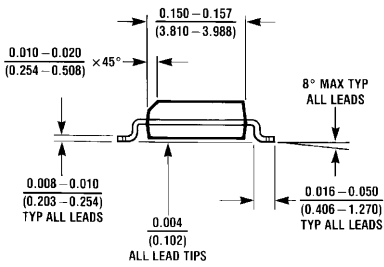
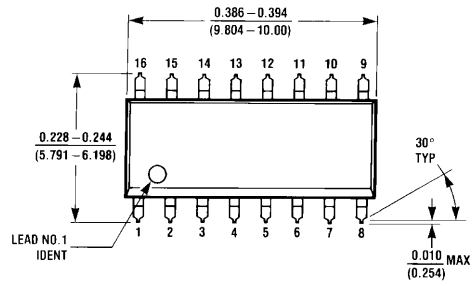
FIGURE 4. Open Loop Response Bode Plot



DS012332-18

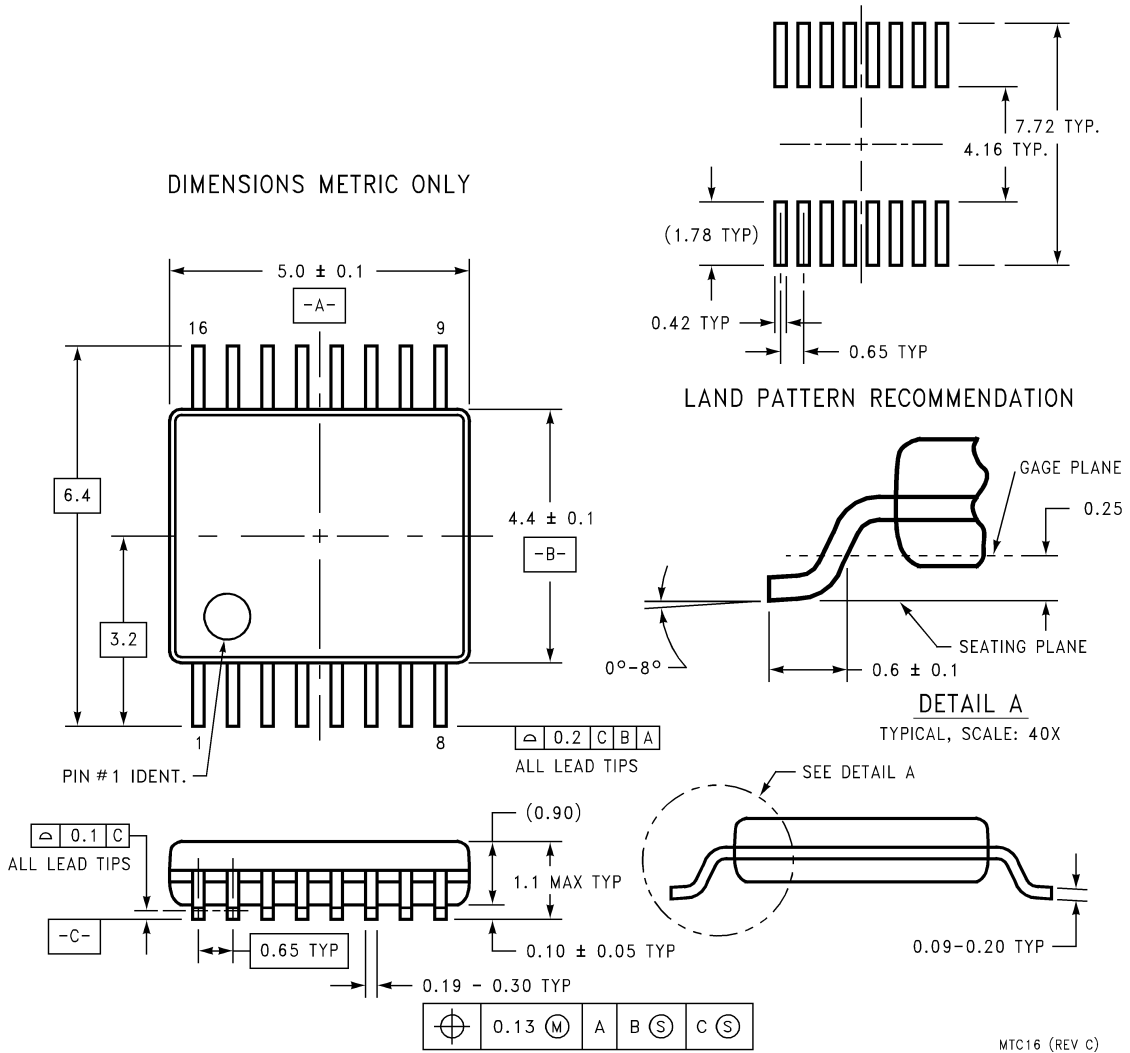
FIGURE 5. Fastlock PLL Architecture

**Physical Dimensions** inches (millimeters) unless otherwise noted



**JEDEC 16-Lead (0.150" Wide) Small Outline Molded Package (M)**  
**Order Number LMX2335M or LMX2337M**  
**\*For Tape and Reel (2500 Units Per Reel)**  
**Order Number LMX2335MX or LMX2337MX**  
**NS Package Number M16A**

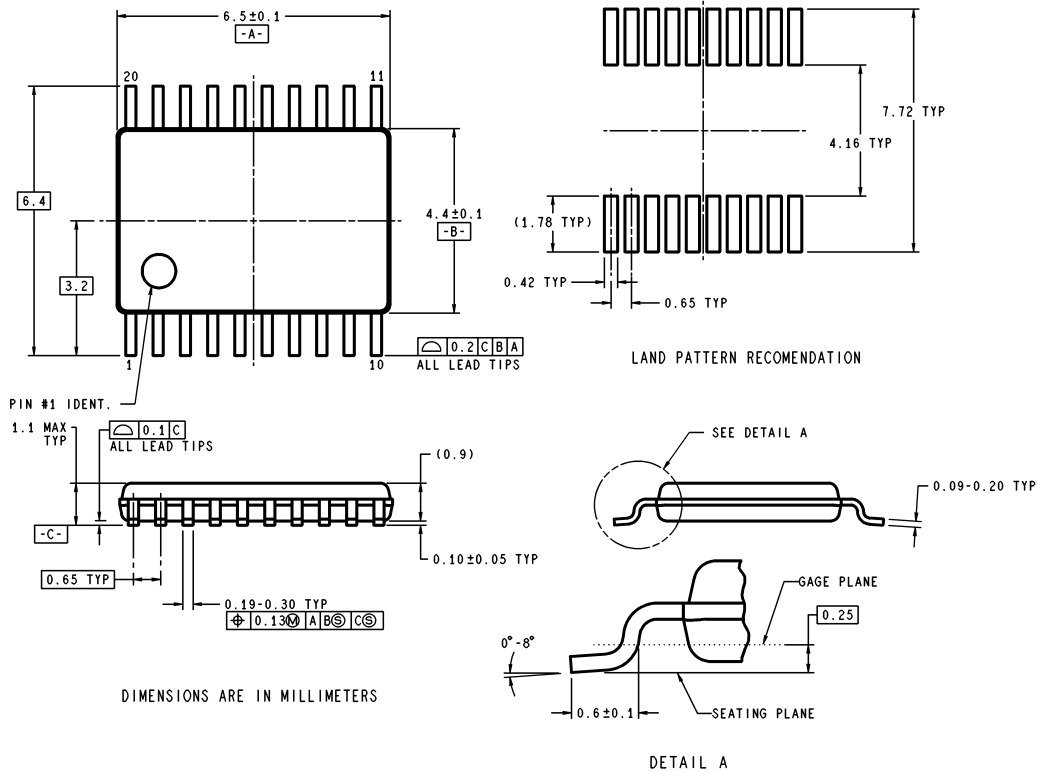
**Physical Dimensions** inches (millimeters) unless otherwise noted (Continued)



**16-Lead Thin Shrink Small Outline Package (TM)**  
**Order Number LMX2335TM or LMX2337TM**  
**\*For Tape and Reel (2500 Units Per Reel)**  
**Order Number LMX2335TMX or LMX2337TMX**  
**NS Package Number MTC16**



**Physical Dimensions** inches (millimeters) unless otherwise noted (Continued)



MTC20 (Rev D)

**20-Lead (0.173" Wide) Thin Shrink Small Outline Package (TM)**  
**Order Number LMX2336TM**  
**\*For Tape and Reel (2500 Units Per Reel)**  
**Order Number LMX2336TMX**  
**NS Package Number MTC20**

**LIFE SUPPORT POLICY**

NATIONAL'S PRODUCTS ARE NOT AUTHORIZED FOR USE AS CRITICAL COMPONENTS IN LIFE SUPPORT DEVICES OR SYSTEMS WITHOUT THE EXPRESS WRITTEN APPROVAL OF THE PRESIDENT AND GENERAL COUNSEL OF NATIONAL SEMICONDUCTOR CORPORATION. As used herein:

1. Life support devices or systems are devices or systems which, (a) are intended for surgical implant into the body, or (b) support or sustain life, and whose failure to perform when properly used in accordance with instructions for use provided in the labeling, can be reasonably expected to result in a significant injury to the user.
2. A critical component is any component of a life support device or system whose failure to perform can be reasonably expected to cause the failure of the life support device or system, or to affect its safety or effectiveness.



**National Semiconductor Corporation**  
 Americas  
 Tel: 1-800-272-9959  
 Fax: 1-800-737-7018  
 Email: support@nsc.com  
 www.national.com

**National Semiconductor Europe**  
 Fax: +49 (0) 180-530 85 86  
 Email: europe.support@nsc.com  
 Deutsch Tel: +49 (0) 69 9508 6208  
 English Tel: +44 (0) 870 24 0 2171  
 Français Tel: +33 (0) 1 41 91 8790

**National Semiconductor Asia Pacific Customer Response Group**  
 Tel: 65-2544466  
 Fax: 65-2504466  
 Email: ap.support@nsc.com

**National Semiconductor Japan Ltd.**  
 Tel: 81-3-5639-7560  
 Fax: 81-3-5639-7507