

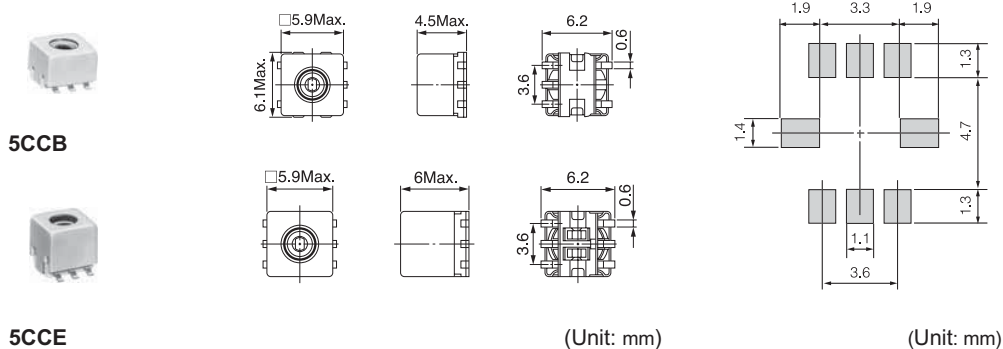
TYPE 5CCB, 5CCE

For Reflow Soldering

	5CCB	5CCE
Frequency Range:	10~150MHz	10~150MHz
Inductance Range:	0.03~10 μ H	0.05~2.7 μ H
Q Approx.:	50 (at 100MHz)	70 (at 100MHz)

Recommended Patterns for 5CCB, 5CCE Coils.

5CCB, 5CCE Coils 面実装用推奨パターン



Features

- Can take up to two built-in capacitors (5CCE : 3~510 pF).
- Ideal for high-density mounting in a wide range of compact equipment.
- RoHS compliant

特長

- コンデンサが2個まで内蔵可能 (5CCE : 3~510pF)
- 各種小型機器の高密度実装化に最適
- RoHS 指令対応

SELECTION GUIDE FOR STANDARD COILS

TYPE 5CCE

東光品番	インダクタンス&可変範囲	Q	測定周波数	直流抵抗(参考値)	自己共振周波数(参考値)
TOKO Part Number	Inductance L (nH) & Adjustable Range \pm (%)	Q	Test Frequency (MHz)	DC Resistance (Ω) Max. (Reference only)	Self-resonant Frequency (MHz)Min. (Reference only)
# A638AN-0150Z	68 \pm 5%	60 \pm 20%	100	0.15	580
# A638AN-0151Z	82 \pm 5%	63 \pm 20%	100	0.29	580
# A638AN-0152Z	100 \pm 5%	65 \pm 20%	100	0.18	580
# A638AN-0153Z	120 \pm 5%	68 \pm 20%	100	0.20	580
# A638AN-0154Z	150 \pm 5%	63 \pm 20%	100	0.29	487
# A638AN-0155Z	180 \pm 5%	73 \pm 20%	100	0.22	443
# A638AN-0156Z	220 \pm 5%	60 \pm 20%	100	0.36	354
# A638AN-0157Z	270 \pm 5%	72 \pm 20%	80	0.26	270
# A638AN-0158Z	330 \pm 5%	75 \pm 20%	80	0.55	273
# A638AN-0159Z	390 \pm 5%	68 \pm 20%	80	0.46	230
# A638AN-0160Z	470 \pm 5%	67 \pm 20%	60	0.48	207
# A638AN-0161Z	560 \pm 5%	68 \pm 20%	60	0.52	180
# A638AN-0162Z	680 \pm 5%	50 \pm 20%	30	0.67	170
# A638AN-0163Z	820 \pm 5%	48 \pm 20%	30	0.73	155
# A638AN-0164Z	1000 \pm 5%	50 \pm 20%	30	1.04	136
# A638AN-0165Z	1200 \pm 5%	48 \pm 20%	30	1.12	113
# A638AN-0166Z	1500 \pm 5%	48 \pm 20%	30	1.26	110
# A638AN-0167Z	1800 \pm 5%	47 \pm 20%	30	0.36	105
# A638AN-0168Z	2200 \pm 5%	47 \pm 20%	30	2.00	100