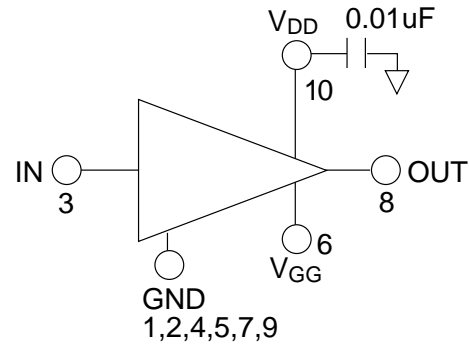


Absolute Maximum Ratings^{1,2}

Parameter	Absolute Maximum
V _{DD}	10 Volts
V _{GG}	-10 Volts
Power Dissipation	8.4 W
RF Input Power	+23 dBm
Channel Temperature	150°C
Storage Temperature	-65°C to +150°C
Thermal Resistance (Channel to Case)	15°C/W

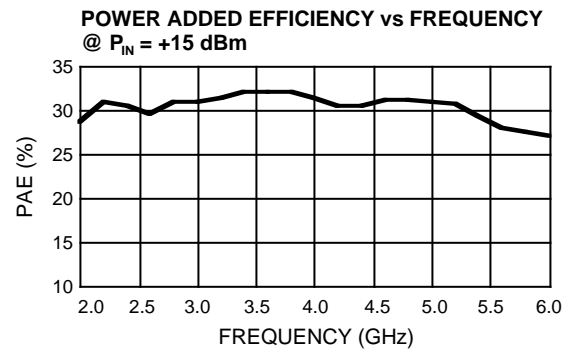
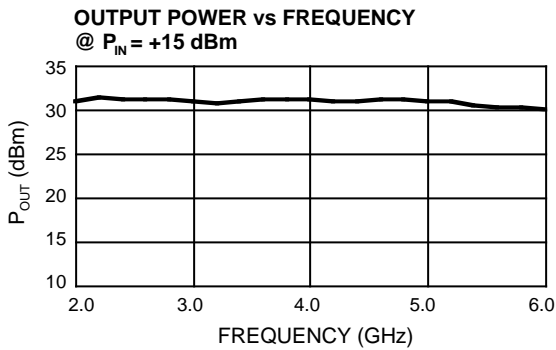
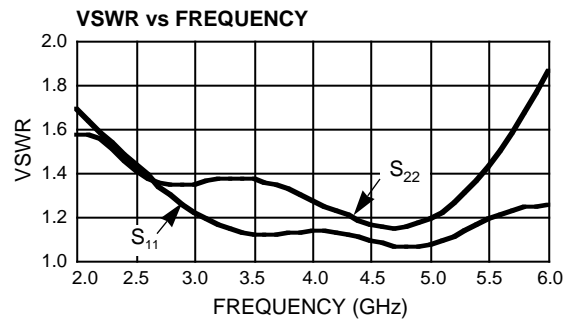
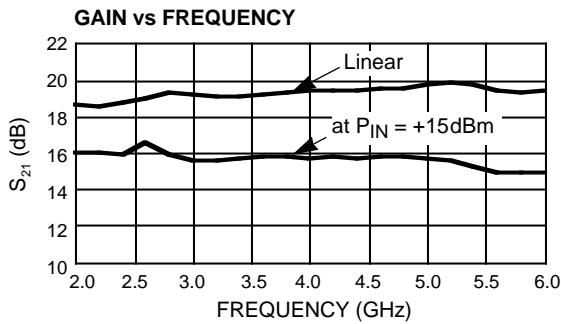
1. Exceeding these limits may cause permanent damage.
2. Case Temperature (T_c) = +25°C

Functional Diagram^{3,4}



3. Nominal bias is obtained by first connecting -5 volts to pin 6 (V_{GG}), followed by connecting +9 volts to pin 10 (V_{DD}). Note sequence.
4. RF ground and thermal interface is the flange (case bottom). Adequate heat sinking is required.

Typical Performance @+25°C



The Preliminary Specifications Data Sheet Contains Typical Electrical Specifications Which May Change Prior to Final Introduction.