

# DATA SHEET

**BFT25**

**NPN 2 GHz wideband transistor**

Product specification  
File under Discrete Semiconductors, SC14

November 1992

# NPN 2 GHz wideband transistor

# BFT25

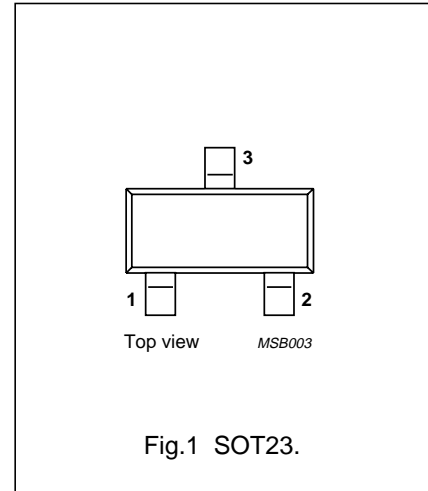
### DESCRIPTION

NPN transistor in a plastic SOT23 envelope.

It is primarily intended for use in RF low power amplifiers, such as in pocket phones, paging systems, etc. The transistor features low current consumption (100  $\mu$ A to 1 mA); due to its high transition frequency, it also has excellent wideband properties and low noise up to high frequencies.

### PINNING

PIN	DESCRIPTION
Code: V1p	
1	base
2	emitter
3	collector



### QUICK REFERENCE DATA

SYMBOL	PARAMETER	CONDITIONS	TYP.	MAX.	UNIT
$V_{CBO}$	collector-base voltage	open emitter	–	8	V
$V_{CEO}$	collector-emitter voltage	open base	–	5	V
$I_C$	DC collector current		–	6.5	mA
$P_{tot}$	total power dissipation	up to $T_s = 167\text{ }^\circ\text{C}$ ; note 1	–	30	mW
$f_T$	transition frequency	$I_C = 1\text{ mA}$ ; $V_{CE} = 1\text{ V}$ ; $f = 500\text{ MHz}$ ; $T_{amb} = 25\text{ }^\circ\text{C}$	2.3	–	GHz
$C_{re}$	feedback capacitance	$I_C = 1\text{ mA}$ ; $V_{CE} = 1\text{ V}$ ; $f = 1\text{ MHz}$ ; $T_{amb} = 25\text{ }^\circ\text{C}$	–	0.45	pF
$G_{UM}$	maximum unilateral power gain	$I_C = 1\text{ mA}$ ; $V_{CE} = 1\text{ V}$ ; $f = 500\text{ MHz}$ ; $T_{amb} = 25\text{ }^\circ\text{C}$	18	–	dB
F	noise figure	$I_C = 1\text{ mA}$ ; $V_{CE} = 1\text{ V}$ ; $f = 500\text{ MHz}$ ; $T_{amb} = 25\text{ }^\circ\text{C}$	3.8	–	dB

### LIMITING VALUES

In accordance with the Absolute Maximum System (IEC 134).

SYMBOL	PARAMETER	CONDITIONS	MIN.	MAX.	UNIT
$V_{CBO}$	collector-base voltage	open emitter	–	8	V
$V_{CEO}$	collector-emitter voltage	open base	–	5	V
$V_{EBO}$	emitter-base voltage	open collector	–	2	V
$I_C$	DC collector current		–	6.5	mA
$I_{CM}$	peak collector current	$f > 1\text{ MHz}$	–	10	mA
$P_{tot}$	total power dissipation	up to $T_s = 167\text{ }^\circ\text{C}$ ; note 1	–	30	mW
$T_{stg}$	storage temperature		–65	150	$^\circ\text{C}$
$T_j$	junction temperature		–	175	$^\circ\text{C}$

### Note

- $T_s$  is the temperature at the soldering point of the collector tab.

## NPN 2 GHz wideband transistor

## BFT25

## THERMAL RESISTANCE

SYMBOL	PARAMETER	CONDITIONS	THERMAL RESISTANCE
$R_{th\ j-s}$	thermal resistance from junction to soldering point	up to $T_s = 167^\circ\text{C}$ ; note 1	260 K/W

## Note

- $T_s$  is the temperature at the soldering point of the collector tab.

## CHARACTERISTICS

$T_j = 25^\circ\text{C}$  unless otherwise specified.

SYMBOL	PARAMETER	CONDITIONS	MIN.	TYP.	MAX.	UNIT
$I_{CBO}$	collector cut-off current	$I_E = 0$ ; $V_{CB} = 5\text{ V}$	–	–	50	nA
$h_{FE}$	DC current gain	$I_C = 10\ \mu\text{A}$ ; $V_{CE} = 1\text{ V}$	20	30	–	
		$I_C = 1\text{ mA}$ ; $V_{CE} = 1\text{ V}$	20	40	–	
$f_T$	transition frequency	$I_C = 1\text{ mA}$ ; $V_{CE} = 1\text{ V}$ ; $f = 500\text{ MHz}$	1.2	2.3	–	GHz
$C_c$	collector capacitance	$I_E = i_e = 0$ ; $V_{CB} = 0.5\text{ V}$ ; $f = 1\text{ MHz}$	–	–	0.6	pF
$C_e$	emitter capacitance	$I_C = i_C = 0$ ; $V_{EB} = 0$ ; $f = 1\text{ MHz}$	–	–	0.5	pF
$C_{re}$	feedback capacitance	$I_C = 1\text{ mA}$ ; $V_{CE} = 1\text{ V}$ ; $f = 1\text{ MHz}$ ; $T_{amb} = 25^\circ\text{C}$	–	–	0.45	pF
$G_{UM}$	maximum unilateral power gain (note 1)	$I_C = 1\text{ mA}$ ; $V_{CE} = 1\text{ V}$ ; $f = 500\text{ MHz}$ ; $T_{amb} = 25^\circ\text{C}$	–	18	–	dB
		$I_C = 1\text{ mA}$ ; $V_{CE} = 1\text{ V}$ ; $f = 800\text{ MHz}$ ; $T_{amb} = 25^\circ\text{C}$	–	12	–	dB
F	noise figure	$I_C = 0.1\text{ mA}$ ; $V_{CE} = 1\text{ V}$ ; $f = 500\text{ MHz}$ ; $T_{amb} = 25^\circ\text{C}$	–	5.5	–	dB
		$I_C = 1\text{ mA}$ ; $V_{CE} = 1\text{ V}$ ; $f = 500\text{ MHz}$ ; $T_{amb} = 25^\circ\text{C}$	–	3.8	–	dB

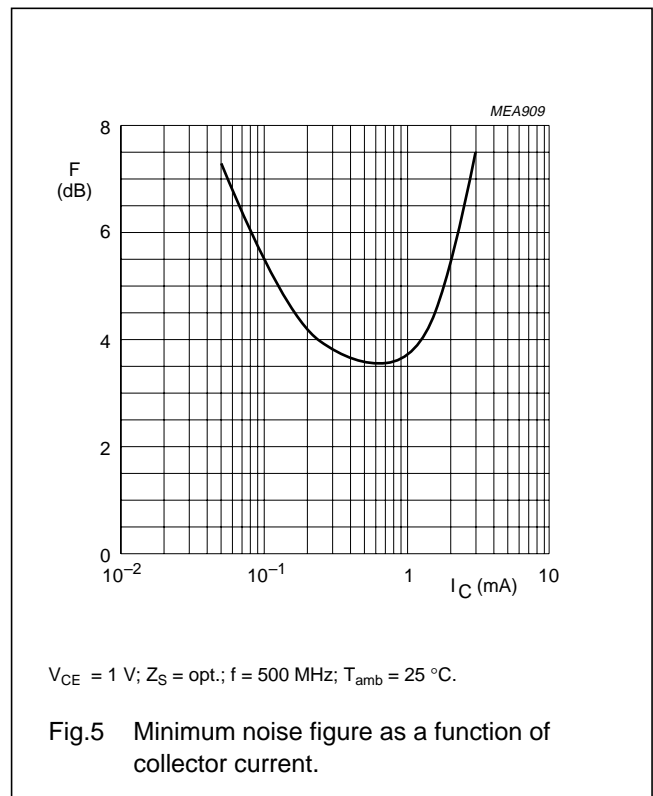
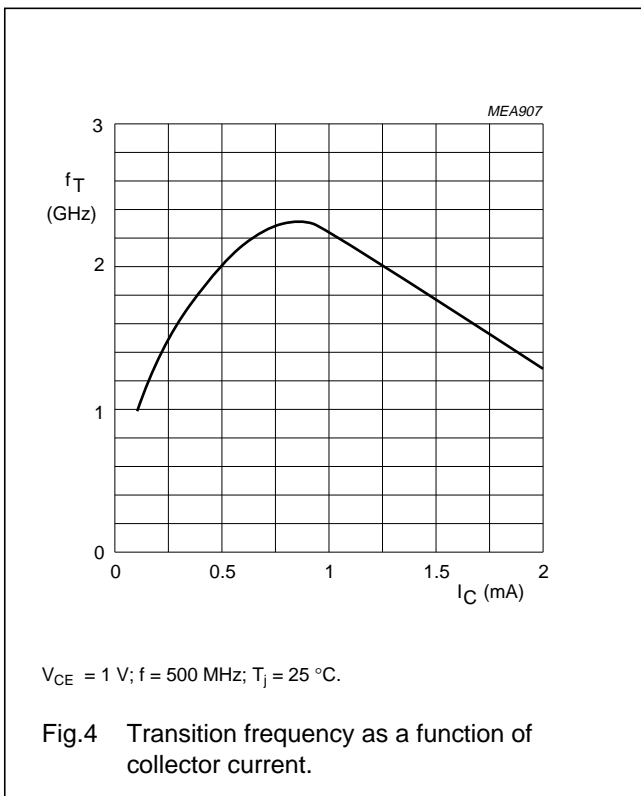
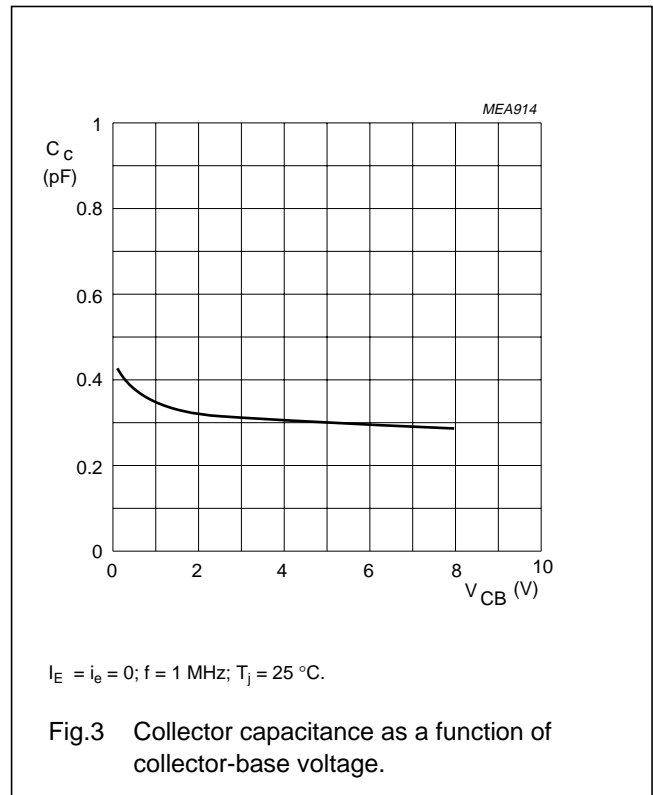
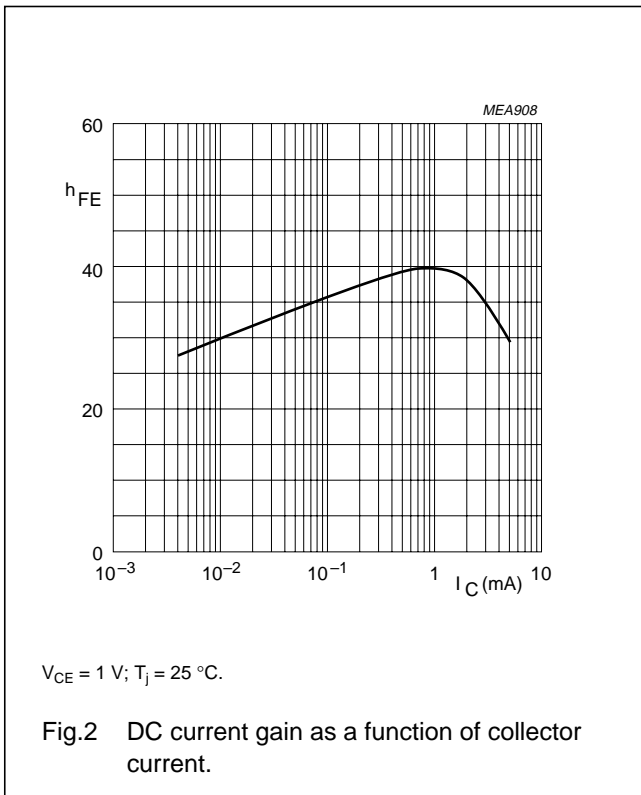
## Note

- $G_{UM}$  is the maximum unilateral power gain, assuming  $S_{12}$  is zero and

$$G_{UM} = 10 \log \frac{|S_{21}|^2}{(1 - |S_{11}|^2)(1 - |S_{22}|^2)} \text{ dB.}$$

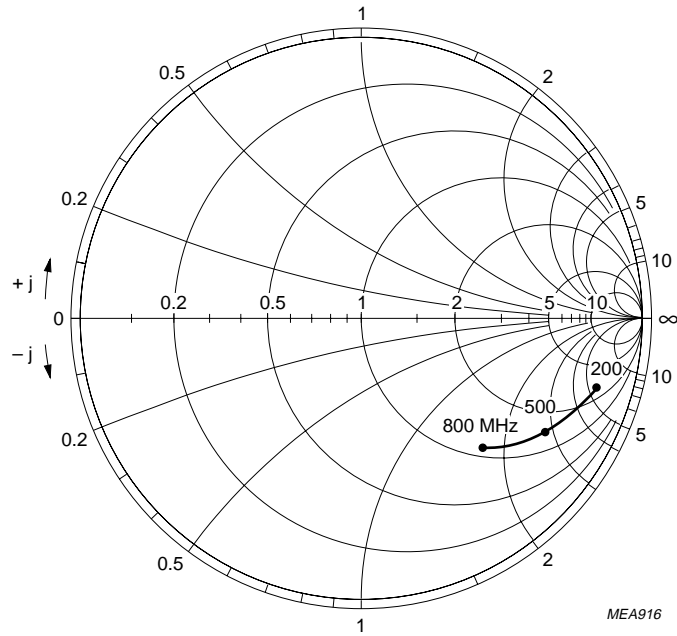
NPN 2 GHz wideband transistor

BFT25



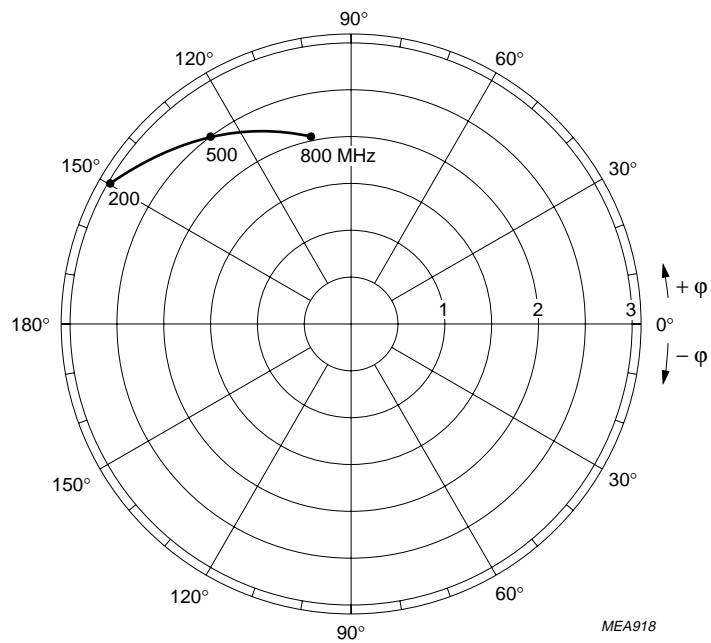
NPN 2 GHz wideband transistor

BFT25



$I_C = 1 \text{ mA}; V_{CE} = 1 \text{ V}; T_{amb} = 25 \text{ }^\circ\text{C}.$   
 $Z_0 = 50 \text{ } \Omega.$

Fig.6 Common emitter input reflection coefficient ( $S_{11}$ ).

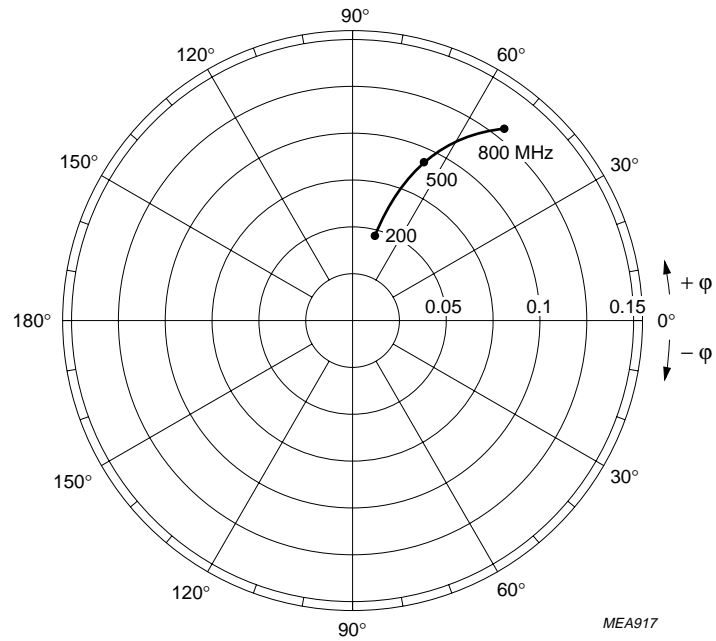


$I_C = 1 \text{ mA}; V_{CE} = 1 \text{ V}; T_{amb} = 25 \text{ }^\circ\text{C}.$

Fig.7 Common emitter forward transmission coefficient ( $S_{21}$ ).

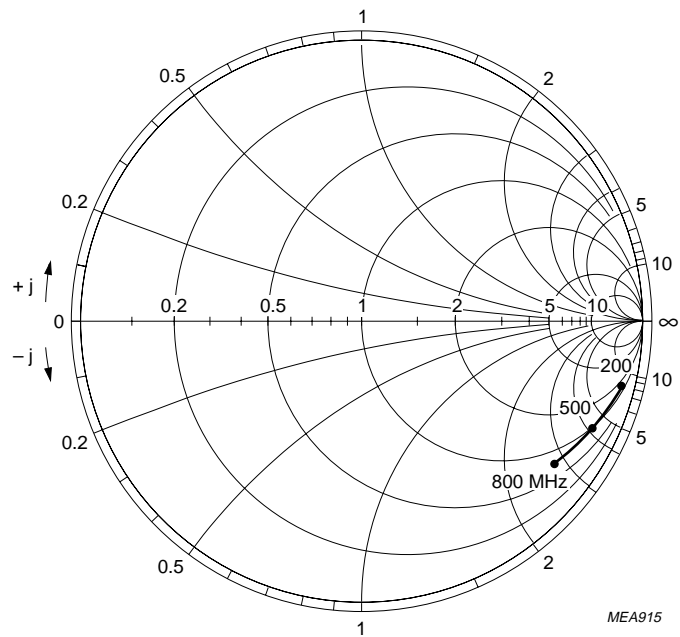
NPN 2 GHz wideband transistor

BFT25



$I_C = 1 \text{ mA}; V_{CE} = 1 \text{ V}; T_{amb} = 25 \text{ }^\circ\text{C}.$

Fig.8 Common emitter reverse transmission coefficient ( $S_{12}$ ).



$I_C = 1 \text{ mA}; V_{CE} = 1 \text{ V}; T_{amb} = 25 \text{ }^\circ\text{C}.$   
 $Z_0 = 50 \text{ } \Omega.$

Fig.9 Common emitter output reflection coefficient ( $S_{22}$ ).

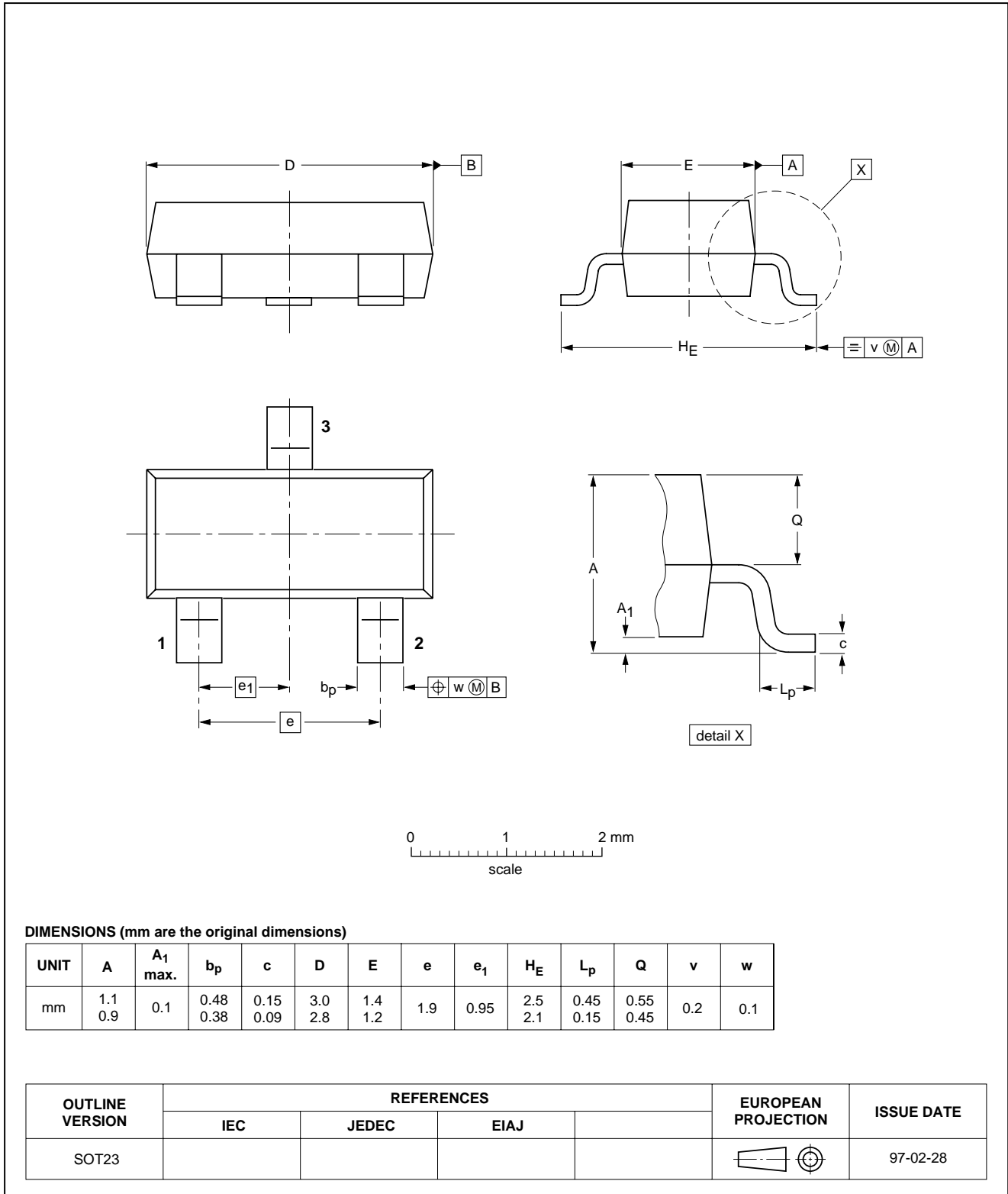
NPN 2 GHz wideband transistor

BFT25

PACKAGE OUTLINE

Plastic surface mounted package; 3 leads

SOT23



## NPN 2 GHz wideband transistor

BFT25

**DEFINITIONS**

<b>Data Sheet Status</b>	
Objective specification	This data sheet contains target or goal specifications for product development.
Preliminary specification	This data sheet contains preliminary data; supplementary data may be published later.
Product specification	This data sheet contains final product specifications.
<b>Limiting values</b>	
Limiting values given are in accordance with the Absolute Maximum Rating System (IEC 134). Stress above one or more of the limiting values may cause permanent damage to the device. These are stress ratings only and operation of the device at these or at any other conditions above those given in the Characteristics sections of the specification is not implied. Exposure to limiting values for extended periods may affect device reliability.	
<b>Application information</b>	
Where application information is given, it is advisory and does not form part of the specification.	

**LIFE SUPPORT APPLICATIONS**

These products are not designed for use in life support appliances, devices, or systems where malfunction of these products can reasonably be expected to result in personal injury. Philips customers using or selling these products for use in such applications do so at their own risk and agree to fully indemnify Philips for any damages resulting from such improper use or sale.