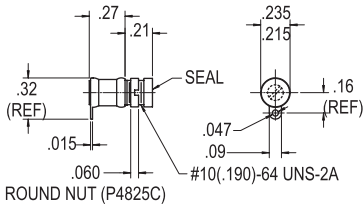
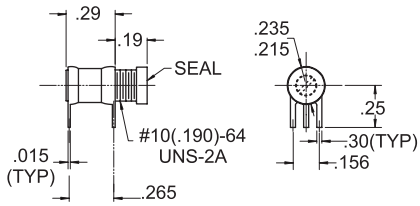
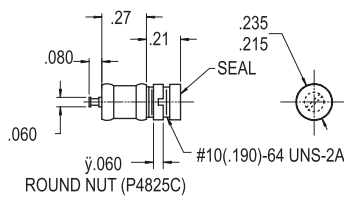
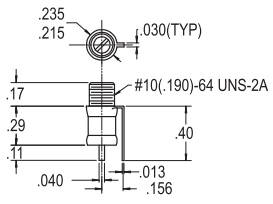
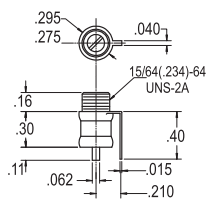
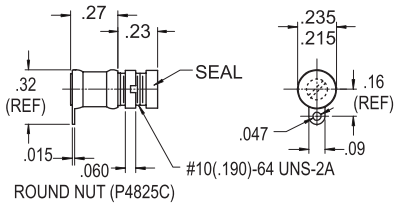
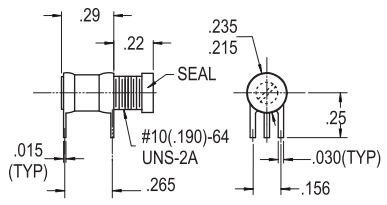
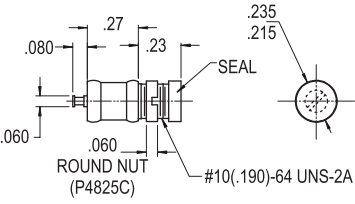
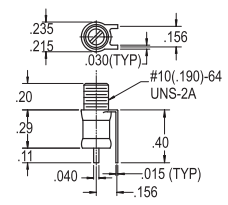


## 0.6 TO 6 pF

<p><b>5700</b></p> <p>Q @ 100 MHz &gt;10000</p>	
<p><b>5701</b></p> <p>Q @ 100 MHz &gt;10000</p>	
<p><b>5702</b></p> <p>Q @ 100 MHz &gt;10000</p>	
<p><b>8050</b></p> <p>Q @ 100 MHz &gt;10000</p>	

## 0.8 TO 10 pF

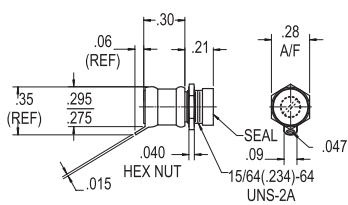
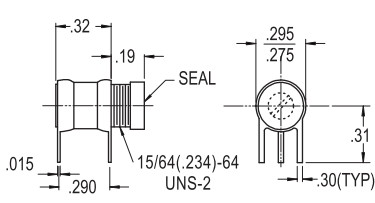
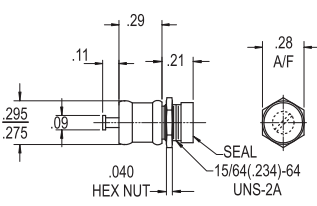
<p><b>8052</b></p> <p>Q @ 100 MHz &gt;5000</p>	
<p><b>5750</b></p> <p>Q @ 100 MHz &gt;7500</p>	
<p><b>5751</b></p> <p>Q @ 100 MHz &gt;7500</p>	
<p><b>5752</b></p> <p>Q @ 100 MHz &gt;7500</p>	
<p><b>5753</b></p> <p>(0.6 to 5 pF) Q @ 100 MHz &gt;7500</p>	

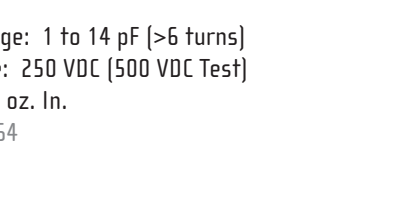
## 0.8 TO 10 pF

- Capacitance Range: .8 to 10 pF (>6 turns)
- Working Voltage: 250 VDC (500 VDC Test)
- Torque: 1 to 5 oz. In. (52XX) or .4 to 4 oz. In. (575X)
- Tuning Tool: 8764
- RoHS Compliant

## 1 TO 14 pF

- Capacitance Range: 1 to 14 pF (>6 turns)
- Working Voltage: 250 VDC (500 VDC Test)
- Torque: 1 to 5.0 oz. In.
- Tuning Tool: 8764
- RoHS Compliant

<p><b>5200</b></p> <p>Q @ 100 MHz &gt;5000</p>	
<p><b>5201</b></p> <p>Q @ 100 MHz &gt;5000</p>	
<p><b>5202</b></p> <p>Q @ 100 MHz &gt;5000</p>	

<p><b>5400</b></p> <p>Q @ 100 MHz &gt;3000</p>	
<p><b>5401</b></p> <p>Q @ 100 MHz &gt;3000</p>	