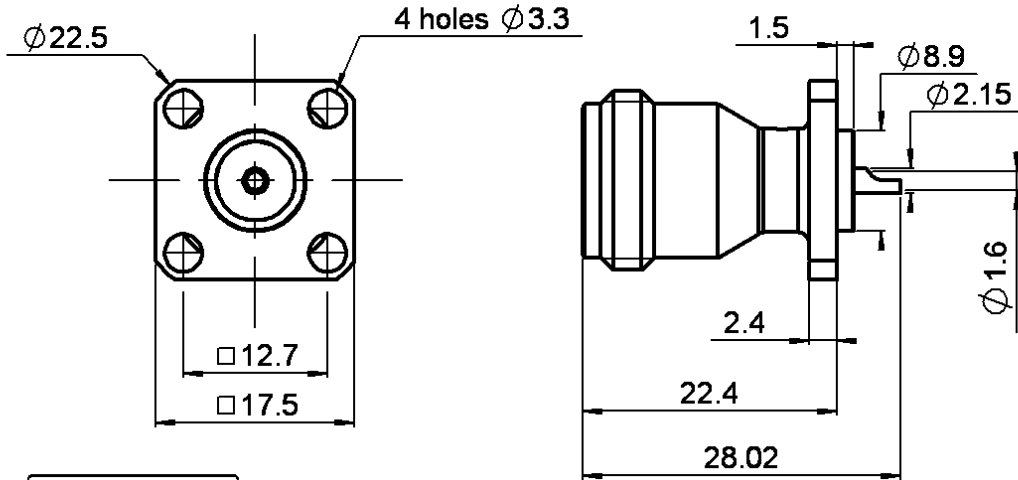


**3/4 INCH SQUARE FLANGE JACK RECEPTACLE  
WITH SOLDER POT CONTACT**

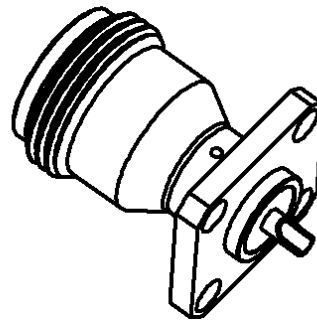
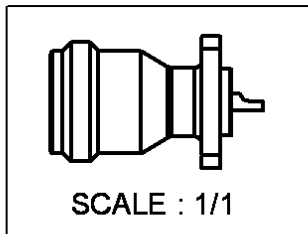
**R161.410.037**

Series : N



**PANEL CUT OUT**

	mm	
	Maxi	mini
A	9.4	9.2
B	3.3	3.2
C	12.8	12.6



All dimensions are in mm.



COMPONENTS	MATERIALS	PLATINGS (µm)
BODY	BRASS	BBR 2
CENTER CONTACT	BRONZE	GOLD 1.3 OVER COPPER 2.5
OUTER CONTACT	-	-
INSULATOR	PTFE	-
GASKET	-	-
OTHERS PARTS	-	-
-	-	-
-	-	-

Issue : 0328 D

In the effort to improve our products, we reserve the right to make changes judged to be necessary.



**3/4 INCH SQUARE FLANGE JACK RECEPTACLE  
WITH SOLDER POT CONTACT**

**R161.410.037**

Series : N

**PACKAGING**

Standard	Unit	Other
<b>50</b>	<b>'W' option</b>	<b>Contact us</b>

**SPECIFICATION**

**B76M66M11 A 00**

**ELECTRICAL CHARACTERISTICS**

Impedance		<b>50</b> Ω
Frequency		<b>0-11</b> GHz
VSWR	<b>* 1.10</b> +	<b>0.000</b> x F(GHz) Maxi
Insertion loss		<b>.015</b> √F(GHz) dB Maxi
RF leakage	- (	<b>101</b> - F(GHz)) dB Maxi
Voltage rating		<b>1400</b> Veff Maxi
Dielectric withstanding voltage		<b>2500</b> Veff mini
Insulation resistance		<b>5000</b> MΩ mini

**ENVIRONMENTAL**

Operating temperature	<b>-55/+125</b> ° C
Hermetic seal	<b>NA</b> Atm.cm3/s
Panel leakage	<b>NA</b>

**OTHERS CHARACTERISTICS**

Assembly instruction

Others :

\* 0 to 6GHz

**MECHANICAL CHARACTERISTICS**

Center contact retention	
Axial force – Mating end	<b>27</b> N mini
Axial force – Opposite end	<b>27</b> N mini
Torque	<b>NA</b> N.cm mini
Recommended torque	
Mating	<b>NA</b> N.cm
Panel nut	<b>NA</b> N.cm
Mating life	<b>500</b> Cycles mini
Weight	<b>20.326</b> g

Issue : 0328 D

In the effort to improve our products, we reserve the right to make changes judged to be necessary.

