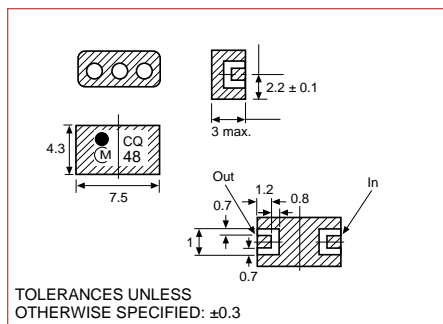


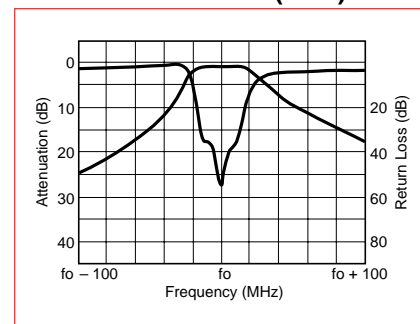
3-POLE – PCS/DCS 1800



DIMENSIONS: mm



TRANSMISSION vs. REFLECTION CHARACTERISTICS (PCS)



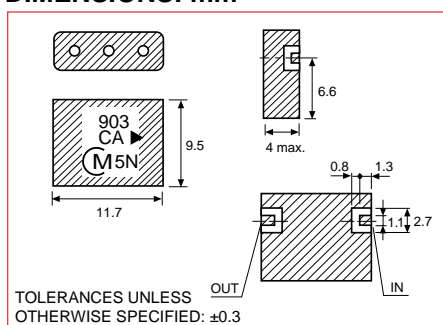
SPECIFICATIONS

Application	Part Number	Center Frequency fo (MHz)	Bandwidth (MHz)	Insertion Loss in BW (dB)	Ripple in BW (dB)	V.S.W.R. in BW	Attenuation (dB) (MHz)	Marking
PCS1900	DFC31R88P060HHA	1880.0	fo ± 30	2.4	1.0	2.0	10 (fo + 100)	CS
PCS1900	DFC31R96P060HHA	1960.0	fo ± 30	2.4	1.0	2.0	18 (fo - 100)	CT
DCS1800	DFC31R74P075HHA	1747.5	fo ± 37.5	2.8	1.6	2.0	7 (fo + 80)	CQ
DCS1800	DFC31R84P075HHA	1842.5	fo ± 37.5	2.8	1.6	2.0	13 (fo - 80)	CR

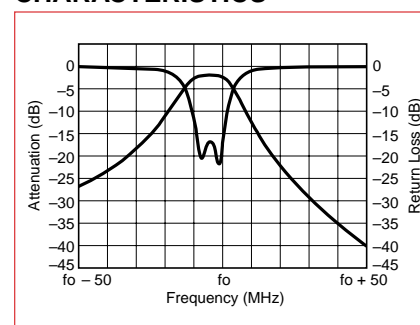
3-POLE – ISM 903/927



DIMENSIONS: mm



TRANSMISSION vs. REFLECTION CHARACTERISTICS



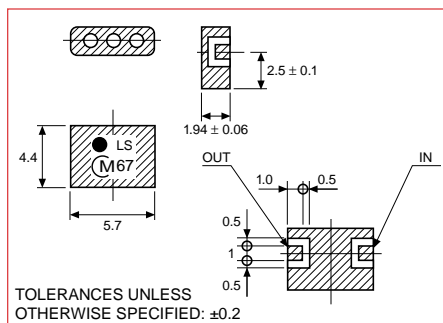
SPECIFICATIONS

Application	Part Number	Center Frequency fo (MHz)	Bandwidth (MHz)	Insertion Loss in BW (dB)	Ripple in BW (dB)	V.S.W.R. in BW	Attenuation (dB) (MHz)	Marking
ISM903	DFC3R903P002HHA	903	fo ± 1.0	5.3	0.5	2.0	35 (925)	903 CA
ISM927	DFC3R927P002HHA	927	fo ± 1.0	5.3	0.5	2.0	29 (905)	927 CA

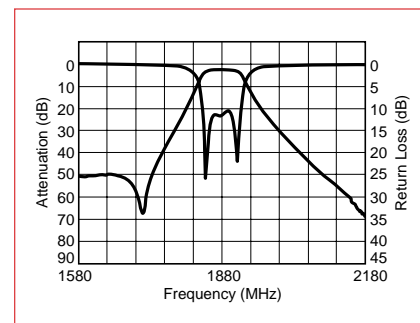
3-POLE – PCS 1800



DIMENSIONS: mm



TRANSMISSION vs. REFLECTION CHARACTERISTICS



SPECIFICATIONS

Application	Part Number	Center Frequency fo (MHz)	Bandwidth (MHz)	Insertion Loss in BW (dB)	Ripple in BW (dB)	V.S.W.R. in BW	Attenuation (dB) (MHz)	Marking
PCS1900	DFC31R88P060LHA	1880.0	fo ± 30	3.7	2.0	3.0	43 (1640 ~ 1664)	LS
							25 (1770)	
							5 (1830)	
							5 (1930)	
							22 (1990)	
43 (2096 ~ 2156)								