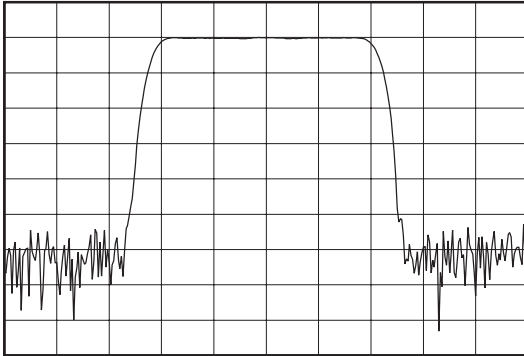
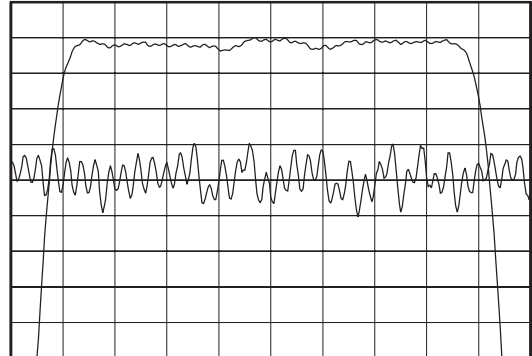


**Data Sheet**

**Typical Performance**



Horizontal: 3.4 MHz/Div  
 Vertical: 10 dB/Div

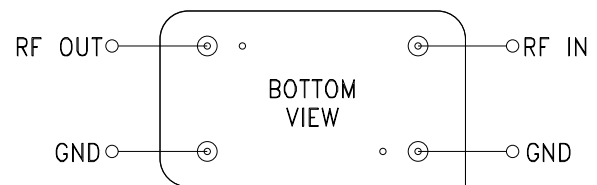
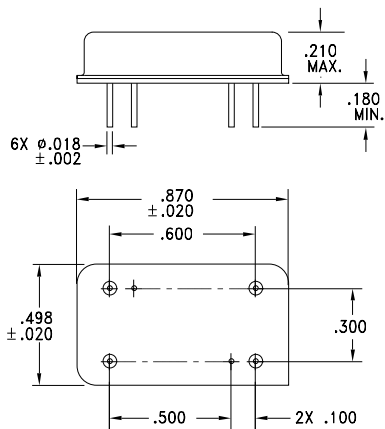


Horizontal: 1.7 MHz/Div  
 Vertical: 1 dB/Div  
 Vertical: 10 nsec/Div

**Specifications**

Parameter	Unit	Minimum	Typical	Maximum
Center Frequency	MHz	139.8	140	140.2
Insertion Loss	dB	-	22	24
1 dB Bandwidth	MHz	13.2	13.4	-
3 dB Bandwidth	MHz	14	14.165	-
40 dB Bandwidth	MHz	-	17	17.6
Passband Variation	dB	-	0.36	0.6
Phase Linearity	deg	-	3.1	6
Group Delay Variation	nsec	-	30	90
Absolute Delay	μsec	-	1.519	-
Ultimate Rejection	dB	50	60	-
Substrate Material	-	-	YZ LiNbO <sub>3</sub>	-
Ambient Temperature	°C	-	25	-

**Package Outline      Matching Configuration**



No Matching Required  
 Nominal Source/Load Impedance = 50Ω  
 Package Style I

11/24/99