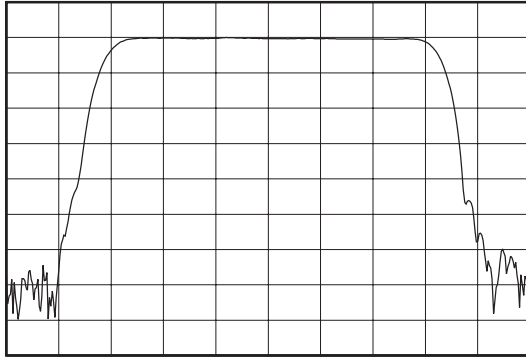
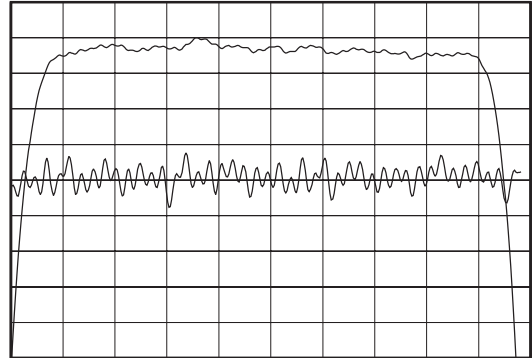


Data Sheet

Typical Performance



Horizontal: 2 MHz/Div
Vertical: 10 dB/Div



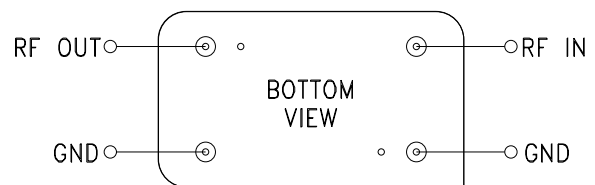
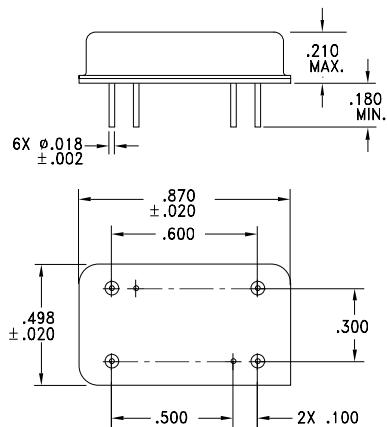
Horizontal: 1.35 MHz/Div
Vertical: 1 dB/Div
Vertical: 20 nsec/Div

Specifications

Parameter	Unit	Minimum	Typical	Maximum
Center Frequency	MHz	139.8	140	140.2
Insertion Loss at F_o	dB	-	22.3	25
1 dB Bandwidth	MHz	11.1	11.42	-
3 dB Bandwidth	MHz	12	12.2	-
40 dB Bandwidth	MHz	-	14.54	15
Passband Variation	dB	-	0.45	0.75
Phase Linearity	deg	-	2	4
Group Delay Variation	nsec	-	35	90
Absolute Delay	μ sec	-	1.835	-
Ultimate Rejection	dB	50	60	-
Substrate Material	-	-	YZ LiNbO ₃	-
Ambient Temperature	$^{\circ}$ C	-	25	-

Package Outline

Matching Configuration



No Matching Required
Nominal Source/Load Impedance = 50 Ω
Package Style I

11/24/99