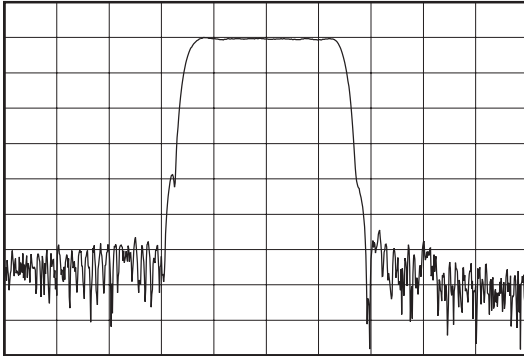
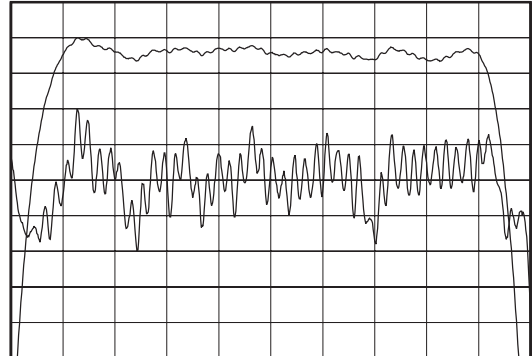


Data Sheet

Typical Performance



Horizontal: 2.5 MHz/Div
Vertical: 10 dB/Div

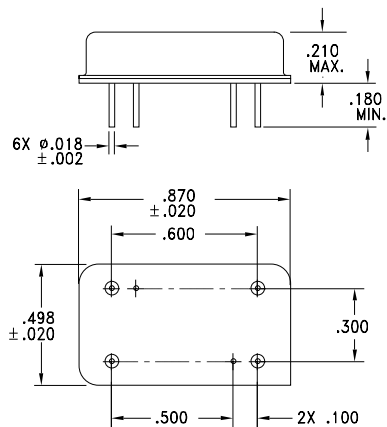


Horizontal: 800 kHz/Div
Vertical: 1 dB/Div
Vertical: 20 nsec/Div

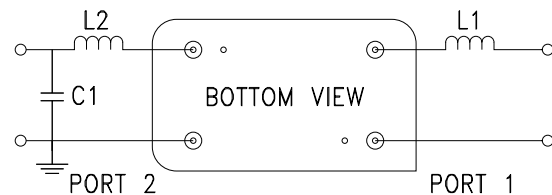
Specifications

Parameter	Unit	Minimum	Typical	Maximum
Center Frequency	MHz	139.8	140	140.2
Insertion Loss at F_o	dB	-	25	27
1 dB Bandwidth	MHz	6.5	6.7	-
3 dB Bandwidth	MHz	7	7.3	-
40 dB Bandwidth	MHz	-	8.8	9.2
Passband Variation	dB	-	0.45	0.7
Phase Linearity	deg	-	3.2	6
Group Delay Variation	nsec	-	54	130
Absolute Delay	μ sec	-	2.998	-
Ultimate Rejection	dB	50	65	-
Substrate Material	-	-	LiTaO ₃	-
Ambient Temperature	$^{\circ}$ C	-	25	-

Package Outline



Matching Configuration



L1 = 56 nH, L2 = 47 nH
C1 = 56 pf
Nominal Source/Load Impedance = 50 Ω
Package Style I

11/24/99