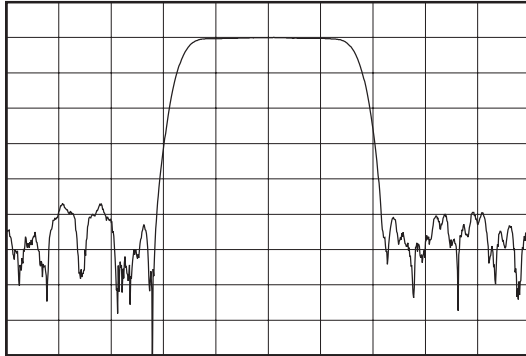
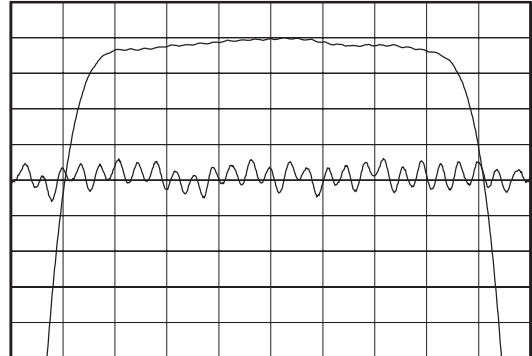


Data Sheet

Typical Performance



Horizontal: 2 MHz/Div
Vertical: 10 dB/Div

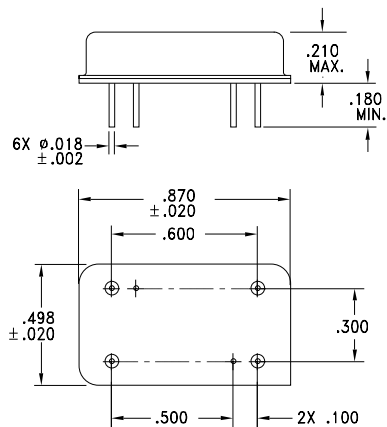


Horizontal: 800 kHz/Div
Vertical: 1 dB/Div
Vertical: 50 nsec/Div

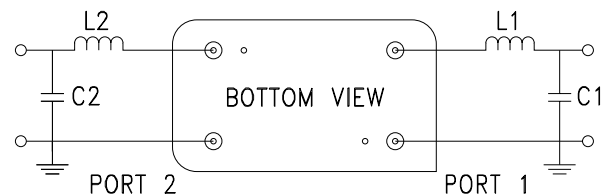
Specifications

Parameter	Unit	Minimum	Typical	Maximum
Center Frequency	MHz	139.8	140	140.2
Insertion Loss at F_o	dB	-	26.5	28
1 dB Bandwidth	MHz	5.6	5.75	-
3 dB Bandwidth	MHz	6	6.3	-
40 dB Bandwidth	MHz	-	8.22	8.4
Passband Variation	dB	-	0.35	0.7
Phase Linearity	deg	-	1.8	4
Group Delay Variation	nsec	-	44	110
Absolute Delay	μ sec	-	2.35	-
Ultimate Rejection	dB	50	60	-
Substrate Material	-	-	Quartz	-
Ambient Temperature	$^{\circ}$ C	-	25	-

Package Outline



Matching Configuration



$L1 = 135 \text{ nH}$, $L2 = 140 \text{ nH}$
 $C1 = 52 \text{ pf}$, $C2 = 109 \text{ pf}$
 Nominal Source/Load Impedance = 50Ω
 Package Style I

11/24/99