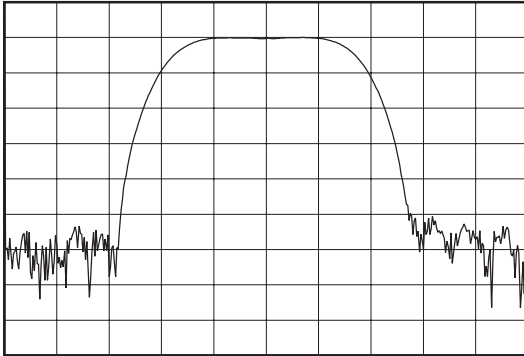
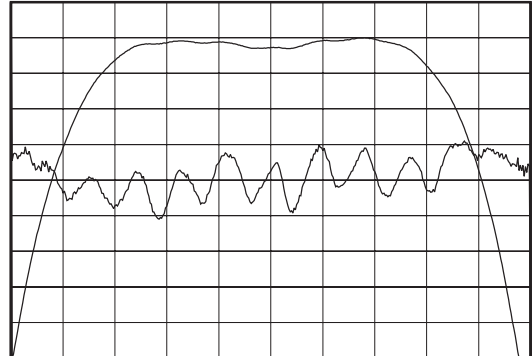


Data Sheet

Typical Performance



Horizontal: 400 kHz/Div
Vertical: 10 dB/Div

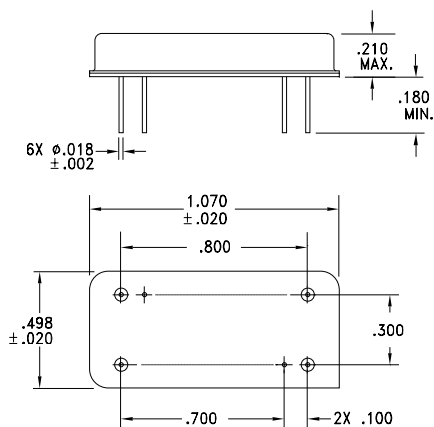


Horizontal: 160 kHz/Div
Vertical: 1 dB/Div
Vertical: 40 nsec/Div

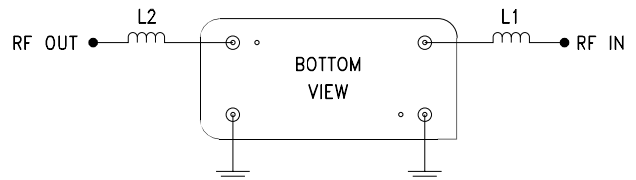
Specifications

Parameter	Unit	Minimum	Typical	Maximum
Center Frequency	MHz	69.93	70	70.07
Insertion Loss at f_o	dB	-	21.5	24
1 dB Bandwidth	MHz	0.9	1.06	-
3 dB Bandwidth	MHz	1	1.26	-
40 dB Bandwidth	MHz	-	2.11	2.3
Passband Variation	dB	-	0.29	0.5
Phase Linearity	deg	-	2	4
Group Delay Variation	nsec	-	80	150
Absolute Delay	μ sec	-	3.6	-
Ultimate Rejection	dB	50	60	-
Substrate Material	-	-	Quartz	-
Ambient Temperature	$^{\circ}$ C	-	25	-

Package Outline



Matching Configuration



L1=309nH, L2 = 248nH
Nominal Values Measured at 70 MHz
Nominal Source/Load Impedance = 50 Ω
Package Style O

11/17/99