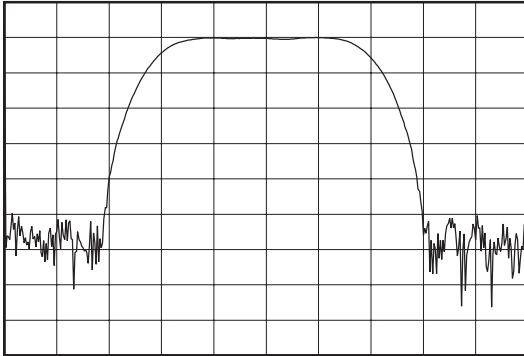
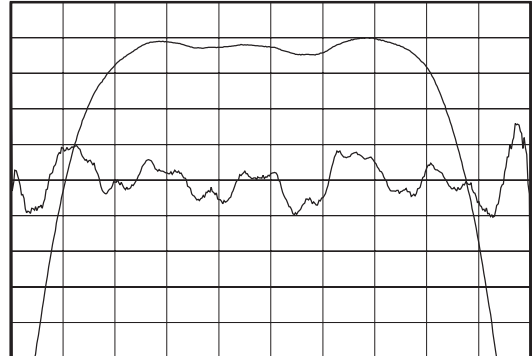


Data Sheet

**Typical Performance**



Horizontal: 700 kHz/Div  
Vertical: 10 dB/Div

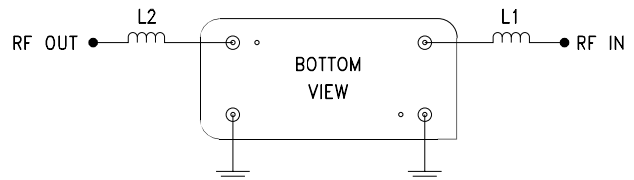
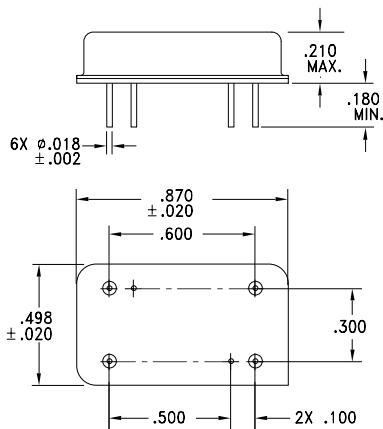


Horizontal: 350 kHz/Div  
Vertical: 1 dB/Div  
Vertical: 30 nsec/Div

**Specifications**

Parameter	Unit	Minimum	Typical	Maximum
Center Frequency	MHz	69.92	70	70.08
Insertion Loss at $f_0$	dB	-	25.2	27
1 dB Bandwidth	MHz	2.1	2.25	-
3 dB Bandwidth	MHz	2.5	2.6	-
40 dB Bandwidth	MHz	-	4.12	4.4
Passband Variation	dB	-	0.28	0.7
Phase Linearity	deg	-	2	4
Group Delay Variation	nsec	-	45	100
Absolute Delay	$\mu$ sec	-	2.3	-
Ultimate Rejection	dB	50	60	-
Substrate Material	-	-	Quartz	-
Ambient Temperature	$^{\circ}$ C	-	25	-

**Package Outline      Matching Configuration**



L1 = 580nH, L2 = 490nH  
Nominal Values Measured at 70 MHz  
Nominal Source/Load Impedance = 50 $\Omega$   
Package Style I

11/17/99