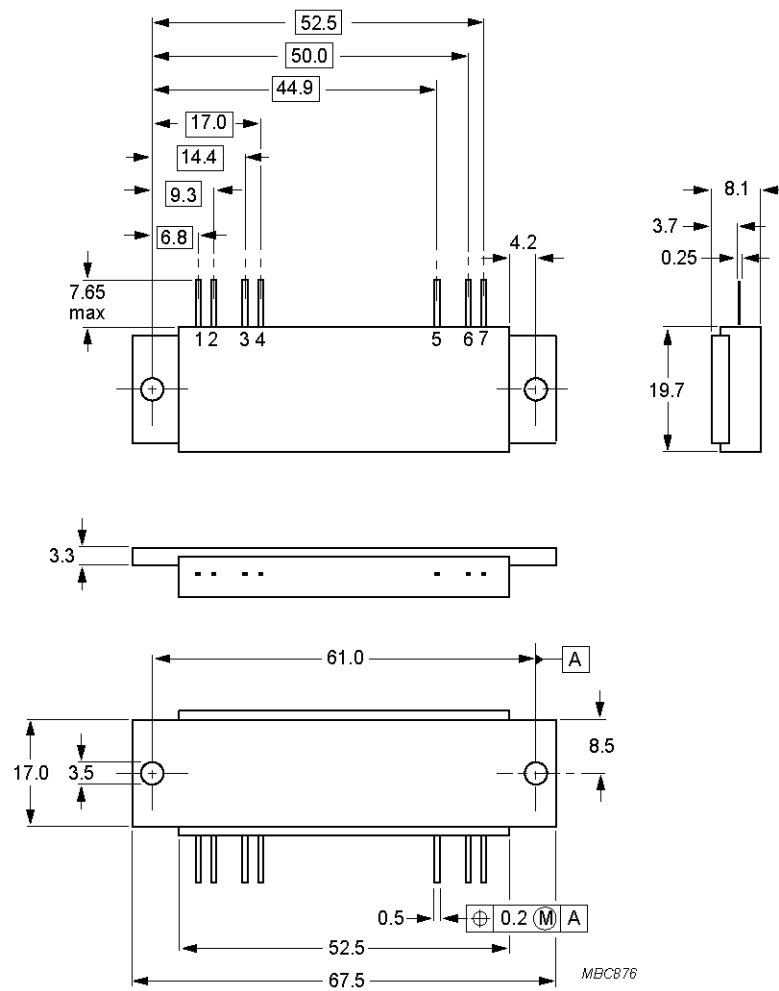


UHF power amplifier module

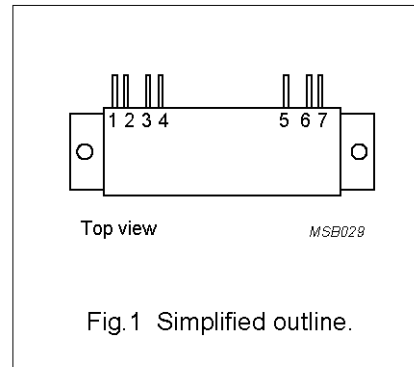
PACKAGE OUTLINE



Dimensions in mm.

PINNING - SOT132B

PIN	DESCRIPTION
1	RF input
2	ground
3	V_{S1}
4	ground
5	V_{S2}
6	ground
7	RF output
Flange	ground

**CHARACTERISTICS**

Input power: 30 – 50 mW (typ.)

Power supply V_{S1} : 12.5 V

Output power:

- 20 W (typ.) 18 W (min.) at 420 – 470 MHz
- 15 W at 400 – 490 MHz