

## LMX2119 1.9 GHz Power Amplifier

### General Description

The LMX2119 1.9 GHz Power Amplifier is a monolithic, integrated power amplifier suitable for use in the Digital European Cordless Telecommunications (DECT) system as well as other mobile telephony and wireless communications applications. It is fabricated using an advanced Gallium Arsenide technology that allows single supply (+3V) operation.

The LMX2119 consists of two MESFETs cascaded to provide 24.5 dB of power gain. The output power at 3.6V is +26.5 dBm with an input power level of +2 dBm. The input VSWR of the power amplifier remains constant in the ON and OFF state.

The LMX2119 is available in a 16-pin SOIC surface mount plastic package.

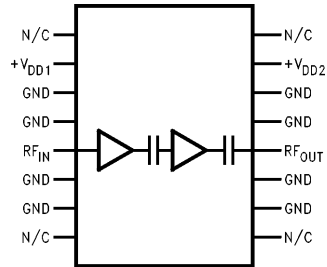
### Features

- Single +3V supply operation
- Class A bias; >30% power added efficiency
- 24.5 dB power gain; +26.5 dBm output power
- 50Ω input/output impedance
- 350 mA current consumption at +3.6V

### Applications

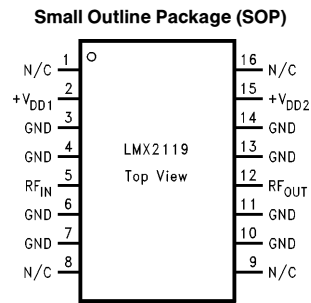
- Digital European Cordless Telecommunications (DECT)
- Portable wireless communications (PCS/PCN, cordless)
- Wireless local area networks (WLANs)
- Other wireless communications systems

### Functional Block Diagram



This data sheet contains the design specifications for product development.  
Specifications may change in any manner without notice.

## LMX2119 Connection Diagram



TL/W/12686-2

**Top View**  
**Order Number LMX2119M**  
**See NS Package Number M16A**

### Pin Description

Pin No.	Pin Name	I/O	Description
1	N/C		No Connect.
2	+V <sub>DD1</sub>		Positive supply voltage. V <sub>DD1</sub> must equal V <sub>DD2</sub> . Decoupling capacitors should be placed as close to the pin as possible.
3	GND		Ground.
4	GND		Ground.
5	RF In	I	RF input to the power amplifier.
6	GND		Ground.
7	GND		Ground.
8	N/C		No Connect.
9	N/C		No Connect.
10	GND		Ground.
11	GND		Ground.
12	RF Out	O	Power amplifier's RF output.
13	GND		Ground.
14	GND		Ground.
15	+V <sub>DD2</sub>		Positive supply voltage. V <sub>DD2</sub> must equal V <sub>DD1</sub> . Decoupling capacitors should be placed as close to the pin as possible.
16	N/C		No Connect.

## Absolute Maximum Ratings

Supply Voltage ( $V_{DD}$ )	5.5V
RF Input Power ( $P_{IN}$ )	6 mW
Storage Temperature ( $T_{STG}$ )	-40°C to +150°C
ESD Rating (Note)	< 2 keV

**Note:** This device is a high performance RF integrated circuit with an ESD Rating < 2 keV, and is ESD sensitive. Handling and assembly of this device should only be done at ESD workstations.

## Recommended Operating Conditions

	Min	Typ	Max	Units
Supply Voltage, $V_{DD1} = V_{DD2}$	3.0	3.6	4.6	V
Operating Temperature ( $T_A$ )	-25		+65	°C
RF Input Power, $P_{IN}$	0	+2	+4	dBm

## Electrical Characteristics

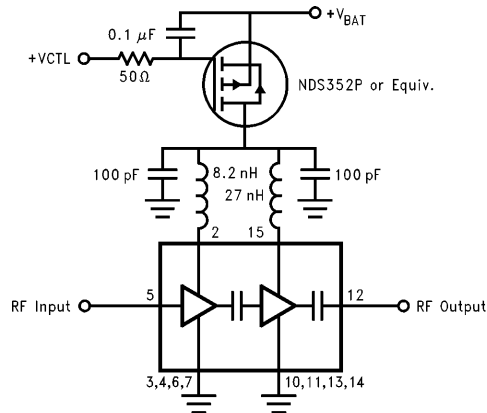
(The following specifications are guaranteed for  $V_{DD1} = V_{DD2} = 3.6V$ ,  $T_A = 25^\circ C$ , 50Ω system unless otherwise specified.)

Symbol	Parameter	Conditions	Min	Value Typ	Max	Unit
	Frequency Range		1880		1900	MHz
$P_{OUT}$	Output Power	$P_{IN} = 1.0\text{ mW} - 2.5\text{ mW}$	25.5	26.5	27.5	dBm
	Isolation	PA off ( $V_{DD1} = V_{DD2} = 0V$ )	40			dB
	Frequency Dependency	$P_{IN} = 1.0\text{ mW} - 2.5\text{ mW}$		0.2	0.5	dB
$I_{DD}$	Current Consumption	$P_{OUT} = 450\text{ mW}$ , $P_{IN} = 1.6\text{ mW}$		350	420	mA
	Input VSWR, PA On	$P_{OUT} = 450\text{ mW}$ , $P_{IN} = 1.6\text{ mW}$		1.6:1	2.0:1	
	Input VSWR, PA Off	$V_{DD1} = V_{DD2} = 0V$ , $P_{IN} = 1.6\text{ mW}$		1.4:1	2.0:1	
	Load Mismatch (Note 1)	$V_{DD1} = V_{DD2} = 4.6V$ , VSWR = 10:1, $P_{IN} = 6\text{ mW}$	No Degradation in Output Power			
	Stability (Note 2)	$P_{IN} = 0 - 3\text{ mW}$ , $V_{DD1,2} = 0 - 4.6V$ , $0\text{ mW} < P_{OUT} < 450\text{ mW}$ , Load VSWR = 10:1	All Non-Harmonically Related Outputs More Than 60 dB Below Desired Signal			

**Note 1:** The device is adjusted to provide maximum load power into a 50Ω load under stress conditions specified by adjusting  $V_{DD1}$ . The device is switched off and a 10:1 load replaces the 50Ω load. The device is switched on and the phase of the 10:1 load is varied through 360 electrical degrees during a 60 second test period. The device is switched off and the load is restored to 50Ω. When the device is switched on, no change in load power is permitted. The pre and post load power measurements are recorded after a 5 minute stabilization period. This parameter is not tested in production but is guaranteed by design and characterization.

**Note 2:** The device is adjusted to provide 400 mW of load power into a 50Ω load by changing and recording the value of the supply voltage. The device is switched off and a 10:1 load replaces the 50Ω load. The device is switched on and the phase of the 10:1 load is varied through 360 electrical degrees during a 60 second test period. The value of  $V_{DD1} = V_{DD2}$  is adjusted from the initial value to a lower value greater than 0V. The phase of the 10:1 load is varied through 360 electrical degrees during a 60 second test period. For any value of the supply voltage between 0V and the initial setting, the non-harmonically related output signals shall be as specified herein for any electrical phase. This parameter is not tested in production but is guaranteed by design and characterization.

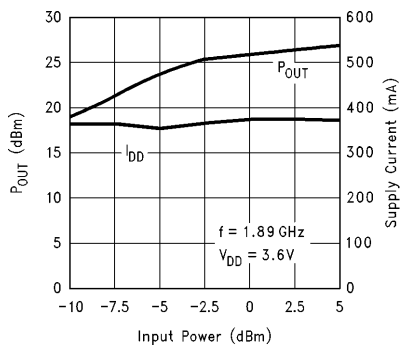
## Typical Application Block Diagram



TL/W/12686-3

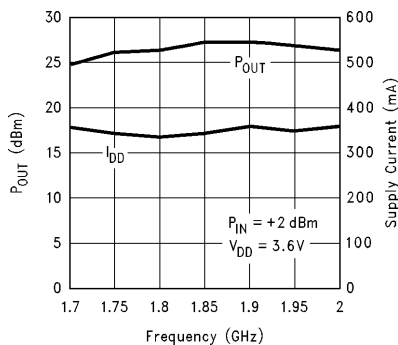
## Typical Performance Characteristics

**Output Power and Supply Current vs Input Power**



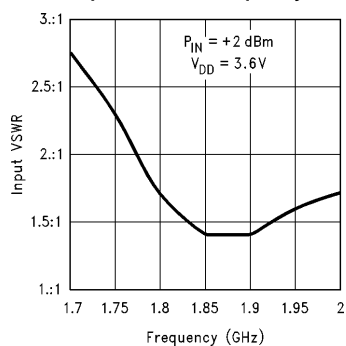
TL/W/12686-4

**Output Power and Supply Current vs Frequency**



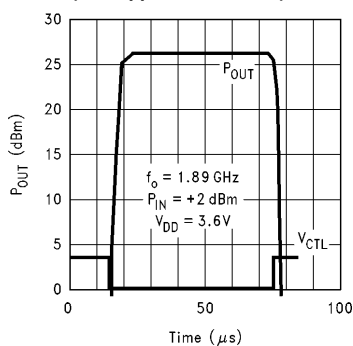
TL/W/12686-5

**Input VSWR vs Frequency**



TL/W/12686-6

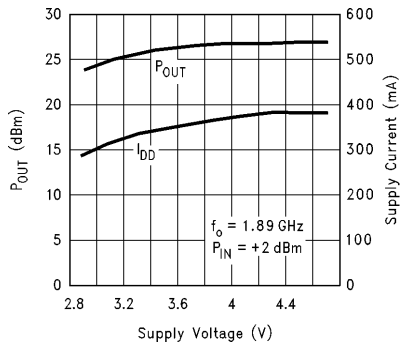
**Power Ramping Characteristic (See Application Circuit)**



TL/W/12686-7

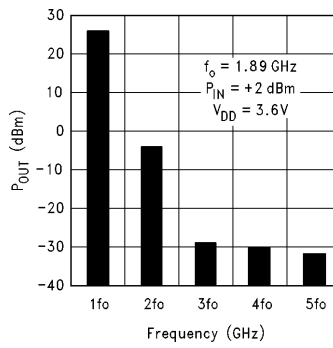
# Typical Performance Characteristics (Continued)

**Output Power and Supply Current vs Supply Voltage**



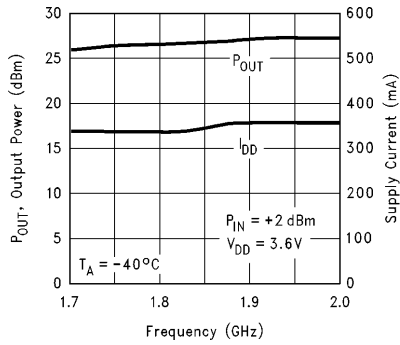
TL/W/12686-8

**Power Amplifier Harmonics**



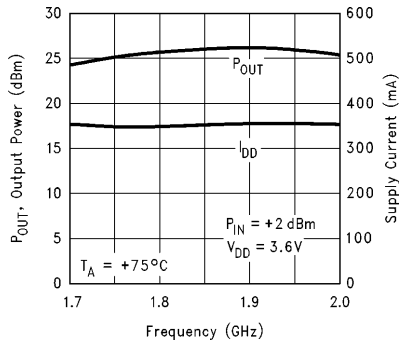
TL/W/12686-9

**Output Power and Supply Current vs Frequency for  $T_A = -40^\circ\text{C}$**



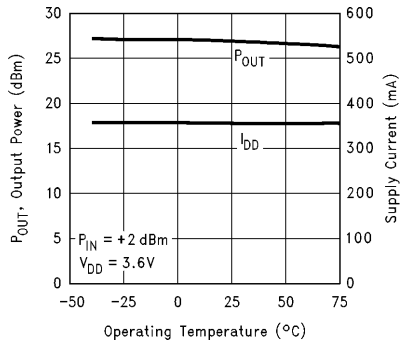
TL/W/12686-10

**Output Power and Supply Current vs Frequency for  $T_A = +75^\circ\text{C}$**



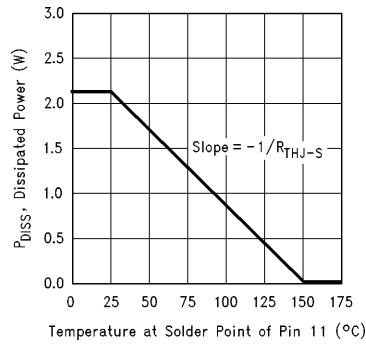
TL/W/12686-11

**Output Power and Supply Current vs Temperature**



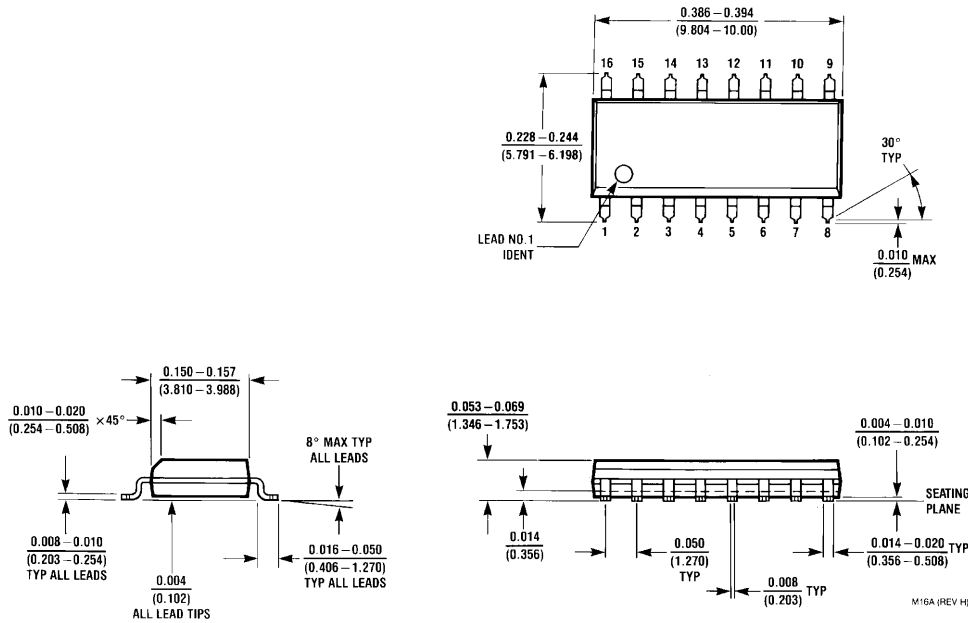
TL/W/12686-12

**Maximum Operating Temperature Chart (50% Duty Cycle)**



TL/W/12686-13

**Physical Dimensions** inches (millimeters) unless otherwise noted




**JEDEC 16-Lead (0.150" Wide) Small Outline Molded Package (M)**  
**Order Number LMX2119M**  
**For Tape and Reel (2500 Units per Reel)**  
**Order Number LMX2119MX**  
**NS Package Number M16A**

**LIFE SUPPORT POLICY**

NATIONAL'S PRODUCTS ARE NOT AUTHORIZED FOR USE AS CRITICAL COMPONENTS IN LIFE SUPPORT DEVICES OR SYSTEMS WITHOUT THE EXPRESS WRITTEN APPROVAL OF THE PRESIDENT OF NATIONAL SEMICONDUCTOR CORPORATION. As used herein:

1. Life support devices or systems are devices or systems which, (a) are intended for surgical implant into the body, or (b) support or sustain life, and whose failure to perform, when properly used in accordance with instructions for use provided in the labeling, can be reasonably expected to result in a significant injury to the user.
2. A critical component is any component of a life support device or system whose failure to perform can be reasonably expected to cause the failure of the life support device or system, or to affect its safety or effectiveness.

	<b>National Semiconductor Corporation</b>	<b>National Semiconductor Europe</b>	<b>National Semiconductor Southeast Asia</b>	<b>National Semiconductor Japan Ltd.</b>
	Americas Tel: 1(800) 272-9959 Fax: 1(800) 737-7018 Email: support@nsc.com	Fax: +49 (0) 180-530 85 86 Email: europe.support@nsc.com Deutsch Tel: +49 (0) 180-530 85 85 English Tel: +49 (0) 180-532 78 32 Français Tel: +49 (0) 180-532 93 58 Italiano Tel: +49 (0) 180-534 16 80	Fax: (852) 2376 3901 Email: sea.support@nsc.com	Tel: 81-3-5620-7561 Fax: 81-3-5620-6179
<a href="http://www.national.com">http://www.national.com</a>				

National does not assume any responsibility for use of any circuitry described, no circuit patent licenses are implied and National reserves the right at any time without notice to change said circuitry and specifications.