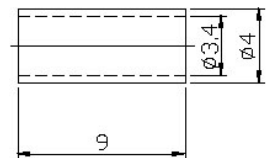
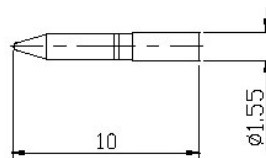
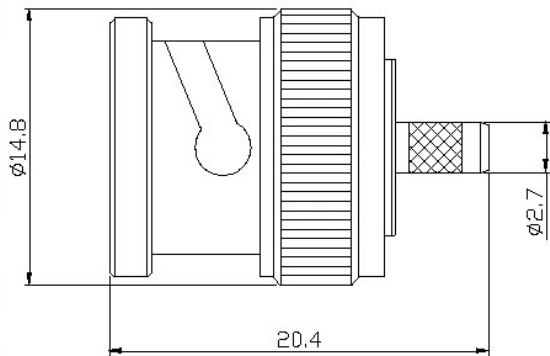


DATASHEET



| ELECTRICAL SPECIFICATIONS: | | |
|----------------------------|------------------|-----------------|
| Frequency range | dc - 2 GHz | |
| Impedance | 50 Ω | |
| Voltage rating | 750V/50Hz max. | |
| Insulation resistance | 5000 MΩ min. | |
| Temperature range | -65 / +85 °C | |
| Life time | 500 mating | |
| MATERIAL SPECIFICATIONS: | | |
| | Materials | Finishes |
| Connector body | Brass | Nickel plating |
| Center contact | Brass | Gold plating |
| Ferrule | Brass | Nickel plating |
| Insulator | PTFE | - |
| CABLE GROUP: | | |
| RG316 DOUBLE BRAID | | |



CABLE STRIPPING

