



TRIMMER POTENTIOMETER



15-Turns Cermet Trimmer Potentiometer POT2103 Series

Precise adjustment, 19mm-long package, 0.75W power rating

FEATURES

1. Recommended for applications requiring side adjustment.
2. Rectangular parallelepiped, 15-turns space saving design (4.6X6.4X19.1mm).
3. Compatible with ultrasonic cleaning (See pages 43 to 44 for details).
4. Clutch mechanism prevents excessive wiper rotation.

APPLICATIONS

Measuring instruments, Facsimile machines, CPUs, PPCs, Printers, Sensors, Industrial machines

PART NUMBERING

(Please specify the part number when ordering.)

(Ex.)

POT	2103	P	-	1	-	103
①	②	③		④		⑤

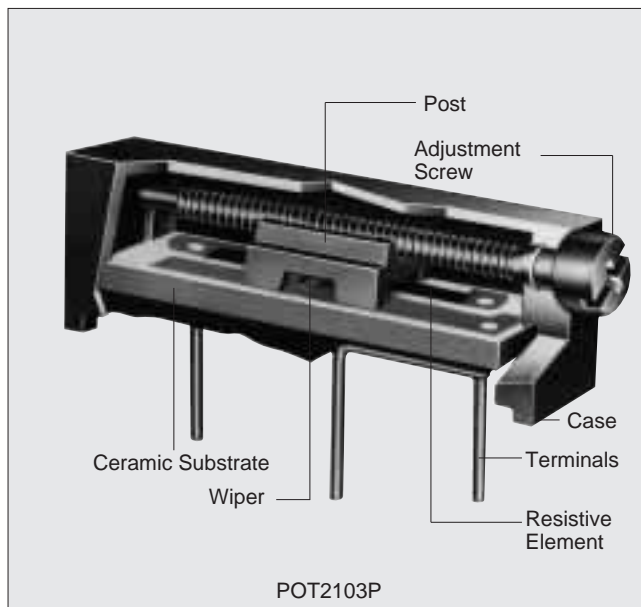
- ① Model
- ② Model number
- ③ Terminal style
- ④ Options 1 : Standard 2 : Panel mount type
- ⑤ Resistance code

RATINGS

Standard Total Resistance Range	10Ω to 2MΩ
Total Resistance Tolerance	±10% of standard total resistance value
Power Rating	70°C – 0.75W 125°C – 0W
Max. Working Voltage	300Vdc
Max. Wiper Current	100mA max.
Operating Temperature Range	-55°C to +125°C
Effective Number of Turns	15±3 turns.
Residual Resistance	2Ω max.
Contact Resistance Variation	3% or 3Ω max. Whichever is greater
Dielectric Strength	1000Vac
Insulation Resistance	1000MΩ min. (500Vdc)
Torque	14.7mNm (150gf·cm) max.

OTHERS

- See pages 43 to 44 for Notice
- See pages 46 to 47 for test methods
- Panel mount option available (See page 31 for details)



ENVIRONMENTAL CHARACTERISTICS

Temperature Coefficient of Resistance	±100ppm/°C
Temperature Cycle	ΔTR ±2%
	ΔV.S. S. ±1%
Humidity Exposure	ΔTR ±2%
	IR 100MΩ min.
Vibration (20G)	ΔTR ±1%
	ΔV.S. S. ±1%
Shock (50G)	ΔTR ±1%
	ΔV.S. S. ±1%
Load Life	ΔTR ±3%
	ΔV.S. S. ±1%
Low Temperature Exposure	ΔTR ±1%
	ΔV.S. S. ±1%
High Temperature Exposure	ΔTR ±2%
	ΔV.S. S. ±1%
Rotational Life (200 cycles)	No intermittence on resistance change

ΔTR : Total Resistance Change
 ΔV.S.S. : Voltage Setting Stability
 IR : Insulation Resistance

MINIMUM QUANTITY (order in sets only)

50 pcs./bag

■PART NUMBER TABLE

Standard Total Resistance Values	Model Number	
	Side Adjustment (P)	Side Adjustment (Y)
10Ω	POT2103P-1-100	POT2103Y-1-100
20Ω	POT2103P-1-200	POT2103Y-1-200
50Ω	POT2103P-1-500	POT2103Y-1-500
100Ω	POT2103P-1-101	POT2103Y-1-101
200Ω	POT2103P-1-201	POT2103Y-1-201
500Ω	POT2103P-1-501	POT2103Y-1-501
1kΩ	POT2103P-1-102	POT2103Y-1-102
2kΩ	POT2103P-1-202	POT2103Y-1-202
5kΩ	POT2103P-1-502	POT2103Y-1-502
10kΩ	POT2103P-1-103	POT2103Y-1-103
20kΩ	POT2103P-1-203	POT2103Y-1-203
50kΩ	POT2103P-1-503	POT2103Y-1-503
100kΩ	POT2103P-1-104	POT2103Y-1-104
200kΩ	POT2103P-1-204	POT2103Y-1-204
500kΩ	POT2103P-1-504	POT2103Y-1-504
1MΩ	POT2103P-1-105	POT2103Y-1-105
2MΩ	POT2103P-1-205	POT2103Y-1-205
Outline dimensions		

[in mm
Standard tolerance : ±0.3]

■PANEL MOUNT TYPE

POT2103□-2-RC

* Use "-2" for panel mount option
□ : Terminal style
RC : Resistance code

[in mm
Standard tolerance : ±0.3]