



TRIMMER POTENTIOMETER



Cermet Chip Trimmer Potentiometer **RVG4M** Series

Recommended for both flow and reflow soldering method while maintaining sealed construction after adjustment

FEATURES

1. Available for flow and reflow soldering method while maintaining unique sealed construction.
2. Simple construction by 3 piece parts achieve high reliability.
3. Available for cleaning after soldering (See pages 43 to 44 for details.)
4. Plated termination achieve a high resistance to solder leaching.
5. High grade version is available (RVG4M58)

APPLICATIONS

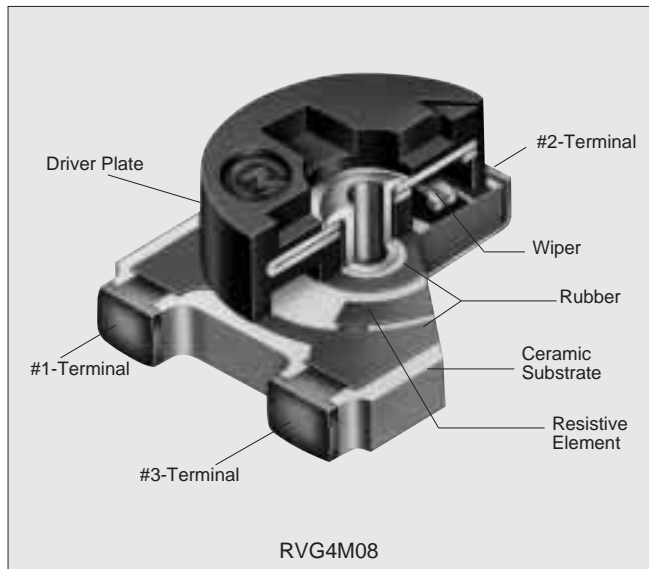
FDDs, HDDs, Measuring equipments, Encoders, Professional use cameras

PART NUMBERING

(Please specify the part number when ordering.)

(Ex.) RVG 4M08 - 103 VM - TG

- ① Model
- ② Model number
4M08 : Standard type
4M58 : High grade type
- ③ Resistance code
- ④ Total resistance tolerance
VM : ±25%...Standard for 4M08
M : ±20%...Standard for 4M58
- ⑤ Packaging code
Taping : TG.....500pcs./reel (180mm dia.)
Bulk : No codes...500pcs./bag



RATINGS

Item	RVG4M08	RVG4M58
Standard Total Resistance Range	200Ω to 2MΩ	100Ω to 2MΩ
Total Resistance Tolerance	±25% of standard total resistance value	±20% of standard total resistance value
Taper	B (Linear)	B (Linear)
Power Rating	1/10W (70°C)	1/4W (70°C)
Max. Working Voltage	50Vdc	200Vdc
Operating Temperature Range	-55°C to +125°C	-55°C to +125°C
Rotational Torque	2.0-24.5mNm (20-250gf·cm)	1.0-14.7mNm (10-150gf·cm)
Effective Rotational Angle	240°±10°	240°±10°



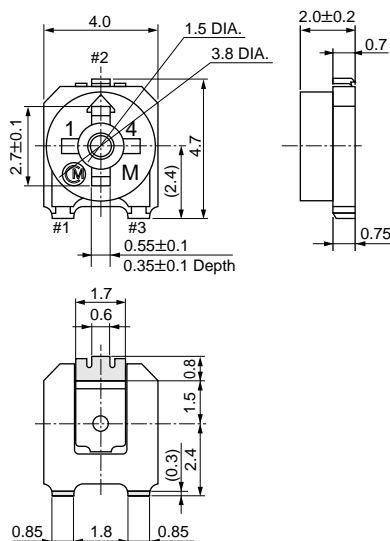
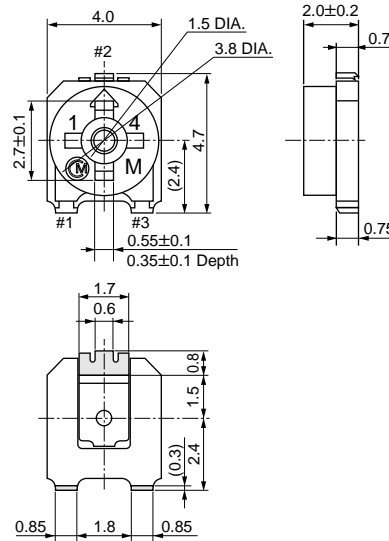
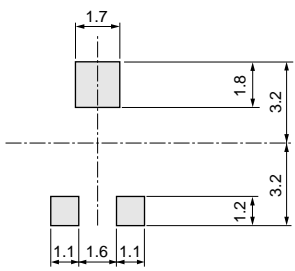
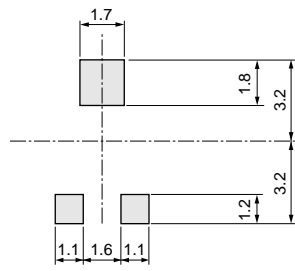
ENVIRONMENTAL CHARACTERISTICS

Item	RVG4M08	RVG4M58
Humidity Exposure	Res. Change : ±3%	Res. Change : ±2%
High Temperature Exposure	Res. Change : ±3%	Res. Change : ±2%
Humidity Load Life	Res. Change : ±3%	Res. Change : ±3%
Load Life	Res. Change : ±3%	Res. Change : ±3%
Temperature Cycle	Res. Change : ±3%	Res. Change : ±2%
Temperature Coefficient of Resistance	±250ppm/°C	±100ppm/°C (200Ω≤R<100kΩ) ±150ppm/°C (100Ω, 100kΩ≤R)
Rotational Life	Res. Change : ±10% (20 cycles)	Res. Change : ±5% (100 cycles)

OTHERS

- See pages 43 to 44 for Notice
- See page 45 for test methods
- Consult us for the details of sealed construction

■PART NUMBER TABLE

Standard Total Resistance Values	Model Number	
	Top adjustment (Sealed/Standard type)  RVG4M08 Series	Top adjustment (Sealed/High grade type)  RVG4M58 Series
100Ω	—	RVG4M58-101VM
200Ω	RVG4M08-201VM	RVG4M58-201VM
300Ω	RVG4M08-301VM	RVG4M58-301VM
500Ω	RVG4M08-501VM	RVG4M58-501VM
1kΩ	RVG4M08-102VM	RVG4M58-102VM
2kΩ	RVG4M08-202VM	RVG4M58-202VM
3kΩ	RVG4M08-302VM	RVG4M58-302VM
5kΩ	RVG4M08-502VM	RVG4M58-502VM
10kΩ	RVG4M08-103VM	RVG4M58-103VM
20kΩ	RVG4M08-203VM	RVG4M58-203VM
30kΩ	RVG4M08-303VM	RVG4M58-303VM
50kΩ	RVG4M08-503VM	RVG4M58-503VM
100kΩ	RVG4M08-104VM	RVG4M58-104VM
200kΩ	RVG4M08-204VM	RVG4M58-204VM
300kΩ	RVG4M08-304VM	RVG4M58-304VM
500kΩ	RVG4M08-504VM	RVG4M58-504VM
1MΩ	RVG4M08-105VM	RVG4M58-105VM
2MΩ	RVG4M08-205VM	RVG4M58-205VM
Outline dimensions	 <p>4.0, 1.5 DIA., 2.0±0.2, 0.7, 3.8 DIA., 4.7, (2.4), 2.7±0.1, #2, #1, #3, 0.55±0.1, 0.35±0.1 Depth, 1.7, 0.6, 1.5, 0.8, (0.3), 2.4, 0.85, 1.8, 0.85</p> <p>Schematic #2 #1 — #3 Clockwise →</p> <p>[in mm Standard tolerance : ±0.3]</p>	 <p>4.0, 1.5 DIA., 2.0±0.2, 0.7, 3.8 DIA., 4.7, (2.4), 2.7±0.1, #2, #1, #3, 0.55±0.1, 0.35±0.1 Depth, 1.7, 0.6, 1.5, 0.8, (0.3), 2.4, 0.85, 1.8, 0.85</p> <p>[in mm Standard tolerance : ±0.3]</p>
Standard PCB layout	 <p>1.7, 1.8, 3.2, 1.2, 3.2, 1.1, 1.6, 1.1</p> <p>[in mm Standard tolerance : ±0.1]</p>	 <p>1.7, 1.8, 3.2, 1.2, 3.2, 1.1, 1.6, 1.1</p> <p>[in mm Standard tolerance : ±0.1]</p>

* E6 resistance values are also available.