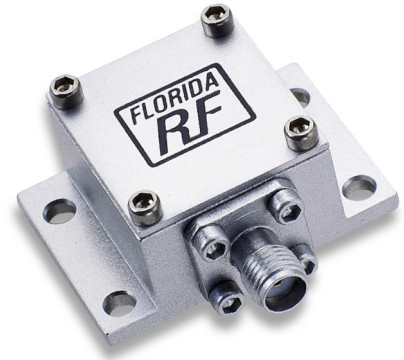
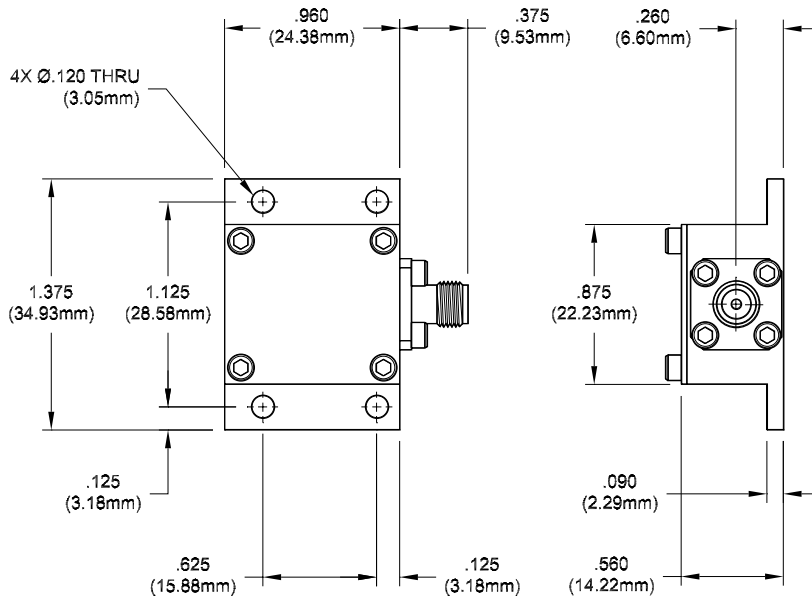


# High Power Coaxial Terminations CONDUCTION COOLED

**100 Watts Part No. 12-3007 SF**  
**High Power Coaxial Termination**  
**SMA**

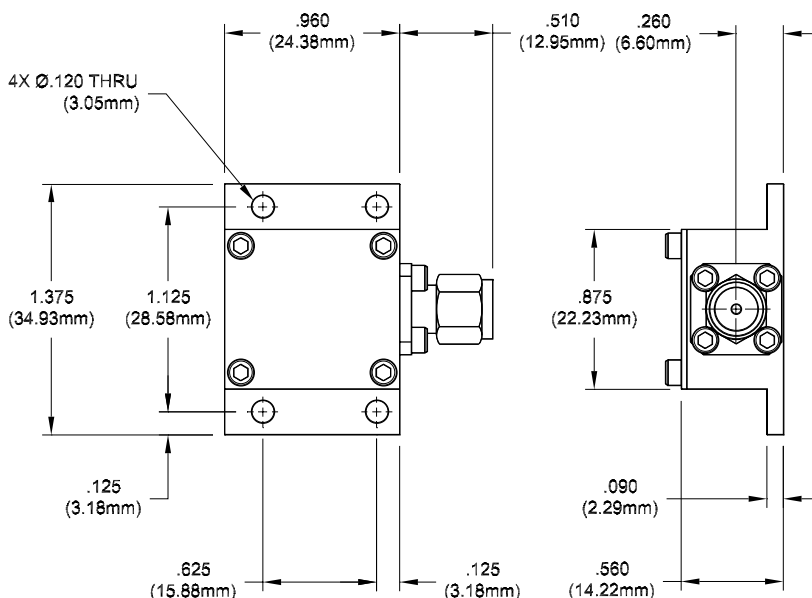


## PERFORMANCE SPECIFICATIONS

**100 Watts**  
**Part No. 12-3007 SF**

Frequency: DC to 3.0 GHz  
VSWR (Max): 1.25:1

**100 Watts Part No. 12-3007 SM**  
**High Power Coaxial Termination**  
**SMA**



## PERFORMANCE SPECIFICATIONS

**100 Watts**  
**Part No. 12-3007 SM**

Frequency: DC to 3.0 GHz  
VSWR (Max): 1.25:1