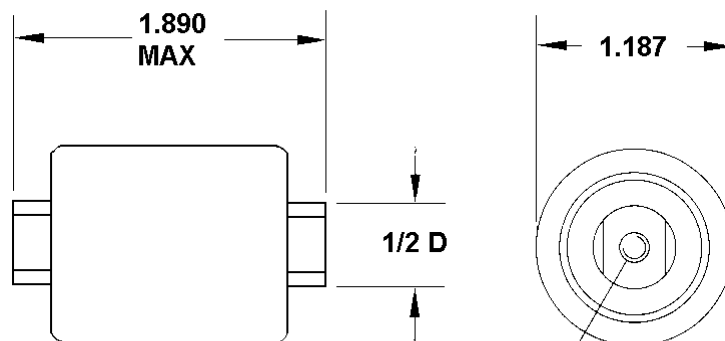




- **15 kV_{DC} Working Voltage**
- **35 kVA Max Power**
- **10 to 500 pF Capacitance**
- **1.187" Diameter x 1.890" Maximum**
- **Choice of four Class I TC's**



INTERNAL THREAD BOTH ENDS
10-32 UNF-2B, 1/4 DEEP (A)
OR M5, 6mm DEEP (A-M)

CAPACITANCE		PERFORMANCE RATINGS					PART NUMBER
pF	Dielectric (TC)	V _{MAX} (kV _{DC})	f _L (MHz)	S _{MAX} (kVA)	f _H (MHz)	I _{MAX} (A _{RMS})	
10	NP0	15	4.95	35	58.0	11.3	HT57Y100KA
25		15	1.98	35	28.4	12.5	HT57Y250KA
50		15	.990	35	15.4	13.0	HT57Y500KA
60		15	.825	35	12.8	13.0	HT57Y600KA
75	N750	15	.660	35	10.4	13.1	HT57Y750KA
100		15	.495	35	8.53	13.7	HT57Y101KA
150		15	.330	35	6.37	14.5	HT57Y151KA
200		15	.247	35	5.11	15.0	HT57Y201KA
250	N3300	15	.198	35	.890	7.00	HT57Y251KA
300		15	.165	35	.742	7.00	HT57Y301KA
400		15	.124	35	.639	7.50	HT57Y401KA
500	N5250	15	.0989	35	.433	6.90	HT57Y501KA

The table above shows a selected subset from the many HT57 Series parts available. A continuous range of capacitance values between those listed here is available. You can 'build' a part number for any desired HT57 capacitor using the "construction rules" shown at right.

HT57 Series Ceramic Capacitor Part Numbers:

HT57Y **100** (10 pF) **M** (± 20%) **A** (10-32 Terminals)
to **501** (500 pF) or or
 K (± 10%) **A-M** (M5 Terminals)
 or
 J (± 5%)
 or
 G (± 2.5%)

Also available with 7.5 kV and 10 kV rating as:

HT57V (7.5 kV_{DC}) and **HT57X** (10 kV_{DC})

Typical Maximum Rating Curves for HT57 Series Capacitors

