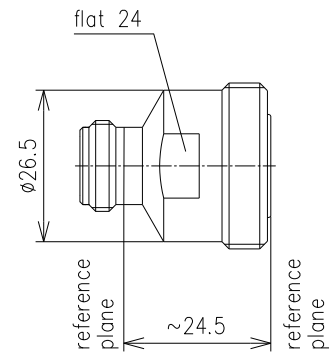


INTER-SERIES ADAPTOR TYPE 7-16 SOCKET - N SOCKET



<b>Part number</b>	<b>BN 29 40 00</b>			
Connector type	7-16 socket / N socket			
Impedance	50 Ω			
Frequency range	0 - 2 GHz	2 - 3 GHz	3 - 4 GHz	4 - 8 GHz
VSWR	≤ 1.02	≤ 1.04	≤ 1.06	≤ 1.12
Intermodulation (IM3) 2x20W	≤ -165 dBc			
Material and surface				
Inner conductor	copper alloy		silver-plated	
Outer conductor	copper alloy		silver-plated	
Insulation	PTFE			
Degree of protection	IP68 (mated)			
Standards	IEC 61169-4, IEC 61169-16			
Weight	approx. 0.078 kg			