

Description

- Concentric tubular design
- Torque mechanism insures low ESR and low dynamic noise resulting in high Q
- Available in PC, panel mount, vertical mount and surface mount terminations
- High Reliability testing available

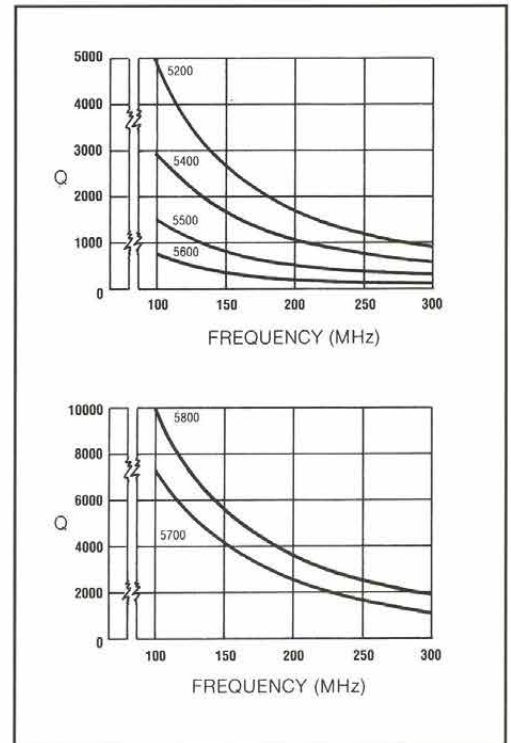
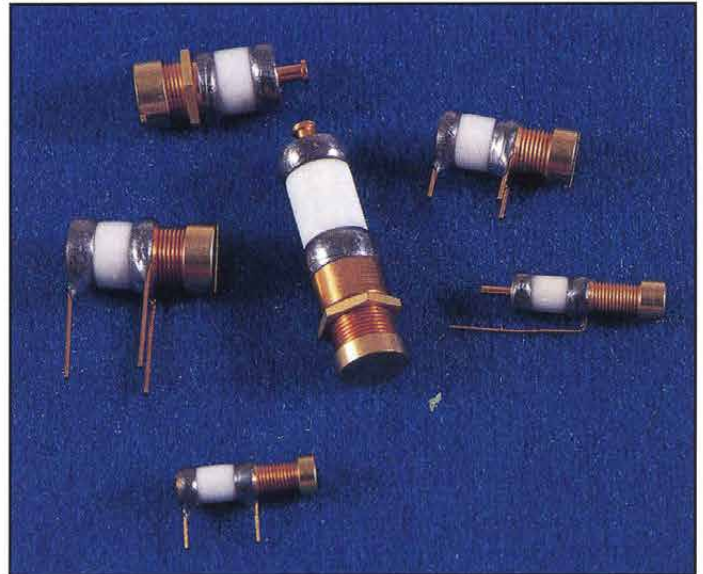
Applications

- RF amplifiers and oscillators
- Impedance matching
- Interstage coupling
- Filter tuning
- Crystal trimming

Characteristics

- Rated voltage: 250 VDC (5300 series 500 VDC)
- Insulation resistance: $>10^6$ Meg Ω @ 500 VDC
- Mil-C-14409 approved
- Contact resistance: $<.01 \Omega$
- Operating temperature: -65°C to $+125^\circ \text{C}$
- Vibration: 60 g, 10-2000 Hz
- Shock: 1500 g, .5 milliseconds
- 574°F solder used in construction.

NOTE: The use of a Johanson tuning tool is recommended. Improper screwdriver size will cause internal thread damage

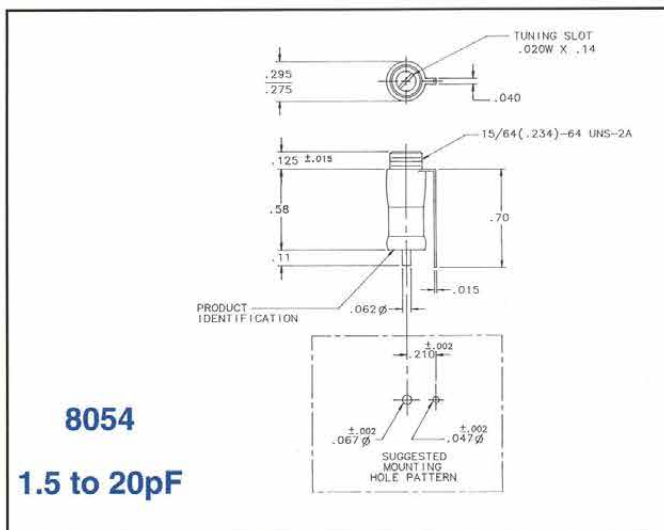
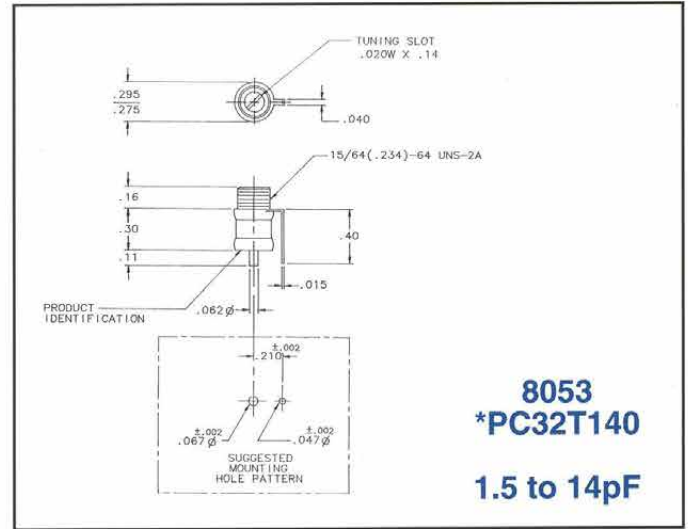
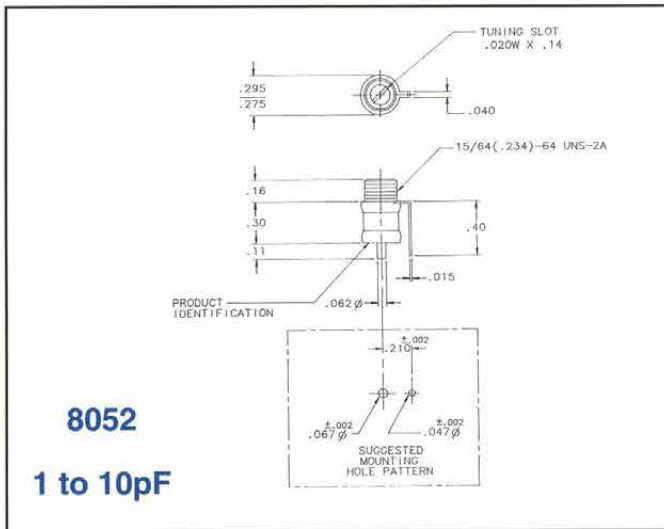
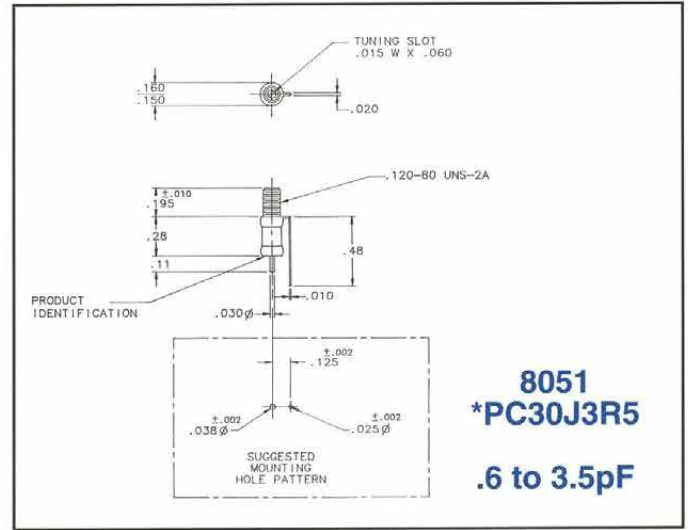
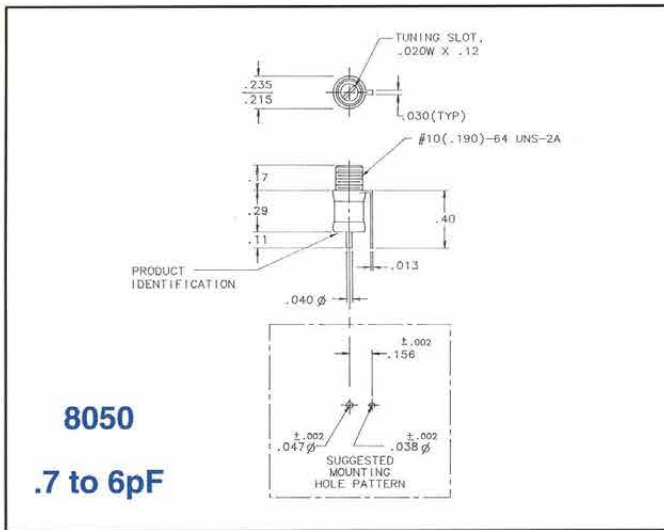




Air and High Voltage Capacitor Selection Guide

Johanson P/N	Capacitance Range (pF)	Number of Turns	Working Voltage (VDC)	Mil-Spec P/N	Temperature Coefficient (PPM/°C)	Tuning Torque (OZ. IN)	Q @ 100 Mhz	Page Number
1501	1 to 10	>8	250	**	15 ± 30	1-5.	>4000 @195MHz	4
1502								
1518								
1585								
1592								
5200	.8 to 10	>6	250	PC25J100	0 ± 15	1-5	>5000	5
5201								
5202								
5300	1 to 10	>10	500	**	0 ± 20	1-6	>2000	6
5301								
5302								
5400	1 to 14	>6	250	PC25J140	0 ± 25	1-5	>3000	7
5401								
5402								
5451	1 to 16	>6	250	**	0 ± 50	1-5	>3000	7
5453								
5500	1 to 20	>12	250	PC25J200	0 ± 30	1-5	>1500	8
5501								
5502								
5600	1 to 30	>20	250	**	0 ± 30	1-5	>800	9
5601								
5602								
5700	.6 to 6	>7	250	PC25J060	0 ± 15	.4-4	>10000	10
5701								
5702								
5750	.8 to 10	>8	250	**	0 ± 50	.4-4	>7500	11
5751								
5752								
5753	1 to 10			**				
5800	.35 to 3.5	>9	250	PC27J3R5	0 ± 15	.3-3	>10000	12
5801								
5802								
5850	.5 to 5	>12	250	**	0 ± 50	.3-3	>7500	13
5851								
5852								
5853								
8050	.7 to 6	>7	250	**	0 ± 15	.4-4	>10000	14
8051								
8052	1 to 10	>6		PC30J3R5	0 ± 25	1-5	>5000	
8053	1.5 to 14	>6		**			0 ± 30	
8054	1.5 to 20	>12		PC32T140		>1500		
8090	1 to 10	>6	250	**	0 ± 20	1-5	>2000	15
8091								
8092								
8093								
52H01	1.5 to 10pF	18	1250	**	50 ± 40	1-5	>1400 @195MHz	18
52H02								
55H01	1.5 to 19pF		750		0 ± 50	>1000 @175MHz		
55H02								

** Not Available in Mil-Spec



	Working Voltage	Temperature Coefficient	Q @ 100 MHz	Turns
8050	250 VDC	0 ± 15 PPM/°C	>10,000	>7
8051				>10
8052		0 ± 25 PPM/°C	>5000	>6
8053				>3000
8054		0 ± 30 PPM/°C	>1500	>12

* Mil-C-14409 qualified unit

Recommended tuning tool **JMC 8777**