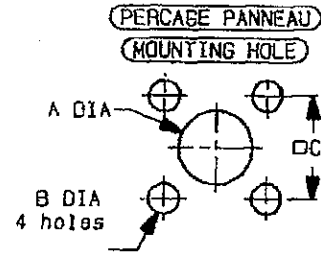
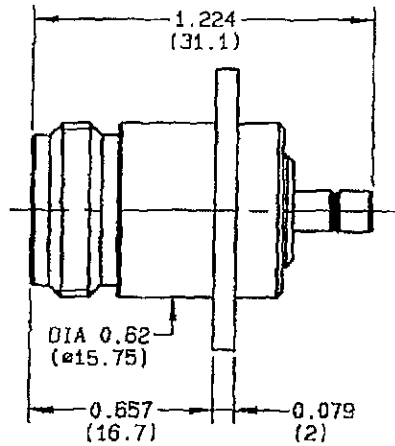
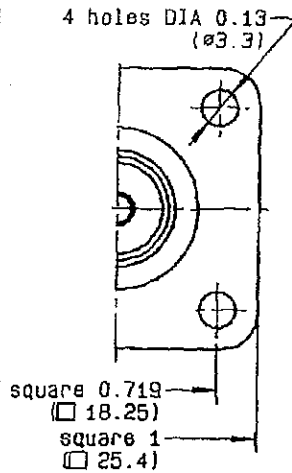


ADAPTER BETWEEN N SERIES FEMALE - SMB SERIES MALE FLANGE RECEPTACLE

R191.236.000
SERIES ADAPT STD 50



	MM		INCH	
	maxi	mini	maxi	mini
A	16.3	16.1	0.642	0.63
B	9.9	9.2	0.13	0.126
C	18.35	18.15	0.722	0.715

NOMINAL IMPEDANCE	50 Ω
FREQUENCY RANGE	0-4 GHz
TEMPERATURE RATING	-55/+155 °C
V.S.W.R	1.15 x F(GHz)Maxi
RF INSERTION LOSS	0.15 \sqrt{F} (GHz) dB Maxi
VOLTAGE RATING	335 V_{eff} Maxi
DIELECTRIC WITHSTANDING VOLTAGE	1000 V_{eff} Mini
INSULATION RESISTANCE	1000 $M\Omega$ Mini
HERMETIC SEAL	Atm.cm ³ /s
LEAKAGE (pressurized only)	MPa
MECHANICAL DURABILITY	500 Cycles
WEIGHT	27 gr

CABLES :

OTHERS CHARACTERISTICS

CABLE RETENTION	N Mini
CENTER CONTACT RETENTION	
Axial force - mating end	27 N Mini
Axial force - opposite end	27 N Mini
Torque	NA cm.N Mini
RECOMMENDED TORQUES	
Mating	cm.N
Panel nut	cm.N
Clamp nut	cm.N

CONNECTOR PARTS:	MATERIALS	FINISH	(all values are given in micrometers)
BODY	BRASS	NICKEL 2	
OUTER CONTACT	BRASS	NICKEL 2	
CENTER CONTACT	BERYLLIUM COPPER	GOLD 1.3 OVER NICKEL 2	
INSULATOR	PTFE	-	
GASKET		-	
OTHERS PIECES			

ISSUE	CREATION DATE	FILE PART-NUMBER
0644 C	31-JUL-81	



The information given here is subject to change without notice. Design changes may be in order to improve the product.

Connect to the future