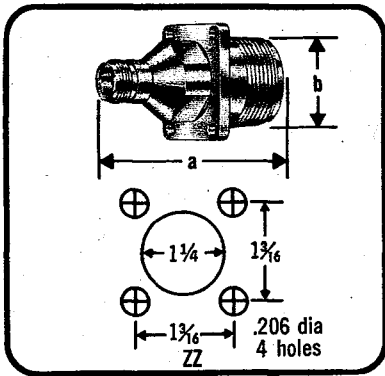


# ADAPTERS

## coaxial connectors

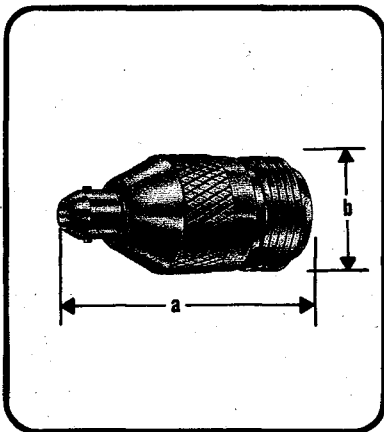
## adapters between series

### LC to N • weatherproof • polyethylene insulation • 50 ohm impedance



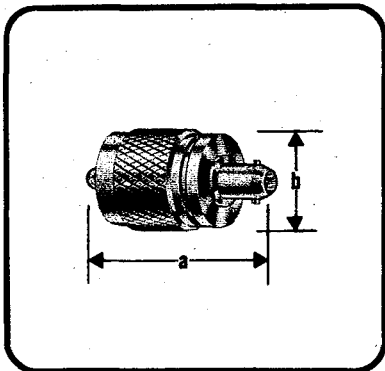
adapter ends		part no.	UG-/U no.	wt lbs	dimensions, inches		exceptions/notes
LC	N				a	b	
jack	jack	55000	271A	.817	2 1/4	1 1/8	mtg hole ZZ

### MB to N • weatherproof • Teflon insulation



adapter ends		part no.	impedance, ohms	wt lbs	dimensions, inches			exceptions/notes
MB	N				a	b	mtg. hole	
jack	jack	47375	50	.095	1 1/4	5/8	—	—

### MB to UHF • non-constant impedance • male contacts • non-weatherproof



adapter ends		part no.	insulation	wt lbs	dimensions, inches	
MB	UHF				a	b
jack	plug	47400	Teflon	.103	1 1/2	3/4

