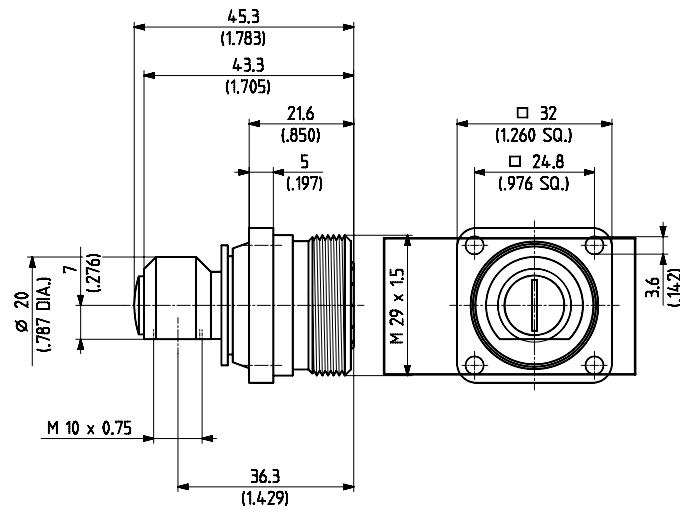


> panel jack (female)



HUBER+SUHNER type	Item no.	Packaging	Mounting hole	Weight	Notes
25_716-50-0-2/003_E	22641434	single	ML 27	124 g/4.34 oz.	cable entries see page 319/320

### Cable entries (for use with all combi-heads)

> cable entry crimp  
> taper sleeves see page 406

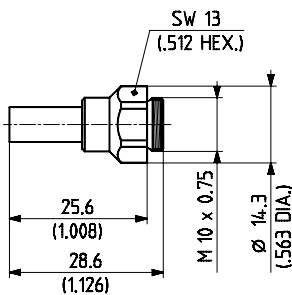


Fig. 1

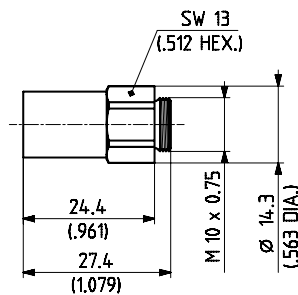


Fig. 2



HUBER+SUHNER type	Item no.	Cable group (example)	Packaging	Assembly instruction	Crimp insert	Fig.
71_Z-0-3-21/-33_E	22641435	U7 (RG 58 C/U)	single	9084	B	1
71_Z-0-3-22/-33_E	22641436	U9 (RG 223/U)	single	9084	B	1
71_Z-0-7-21/-33_E	22641440	U29 (RG 213/U)	single	9087	D	2
71_Z-0-7-22/-33_E	22641441	U32 (RG 214/U)	single	9087	D	2