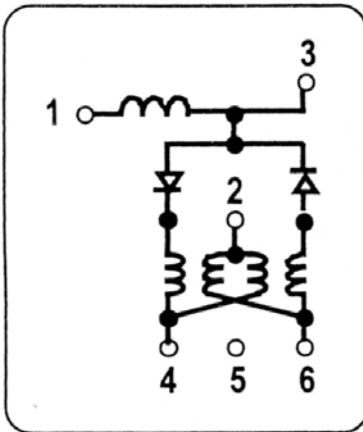


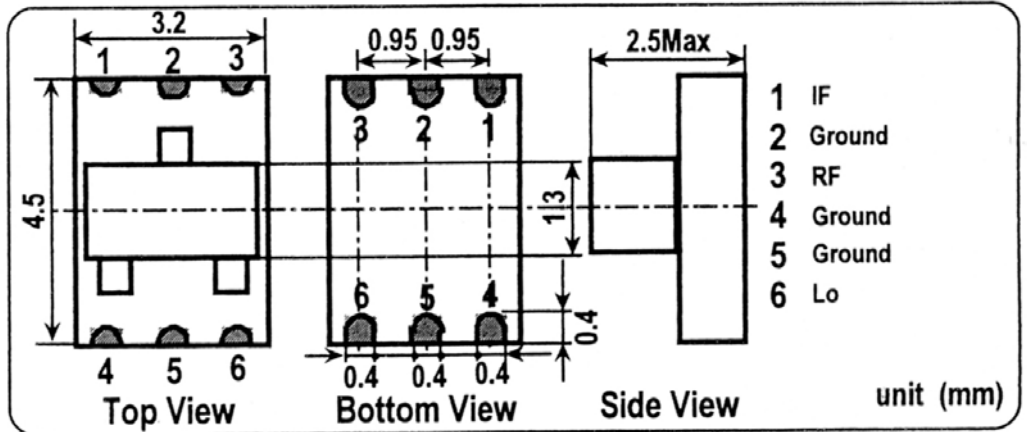
800/2000 MHz Band Chip Multilayer S.B.MIXER

Model No. SLM-190S

Equivalent Circuits



Shape & Size



Specifications

Capacity attached to RF Port	5pF	Lo-RF Isolation	13dB Min (20dB TYP.)
RF Frequency	800-2000MHz	RF-IF Isolation (RF=1800MHz,IF=250MHz)	5dB Min (10dB TYP.)
Lo Frequency	800-2000MHz		
IF Frequency	0.5-500MHz	1dB Compression Level	+1dBm TYP.
Conversion Loss	12dB Max (8.0dB TYP.)	Intercept Point (3rd IM)	+11dBm TYP.
Lo Power	+7dBm Max (+5dBm TYP.)	Temperature Range	-35 to +85°C