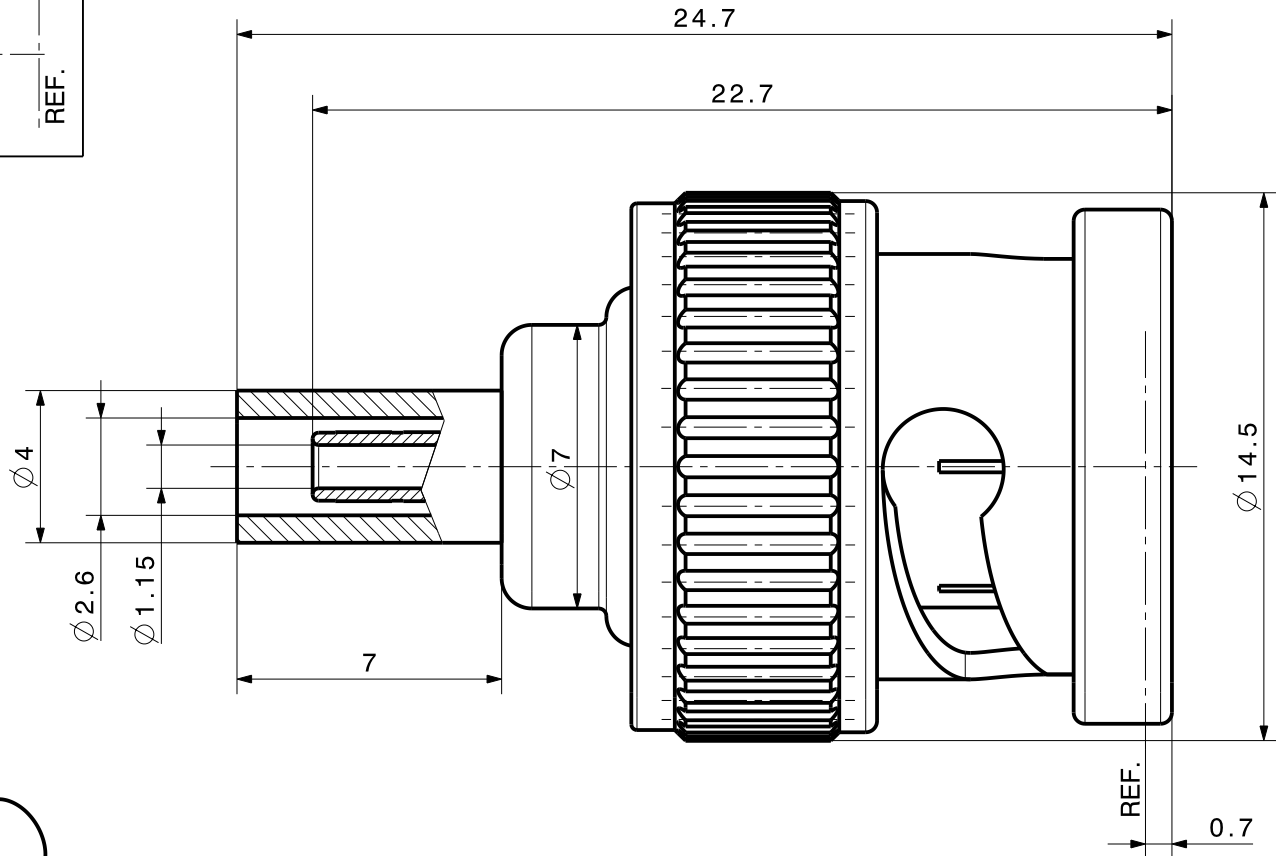
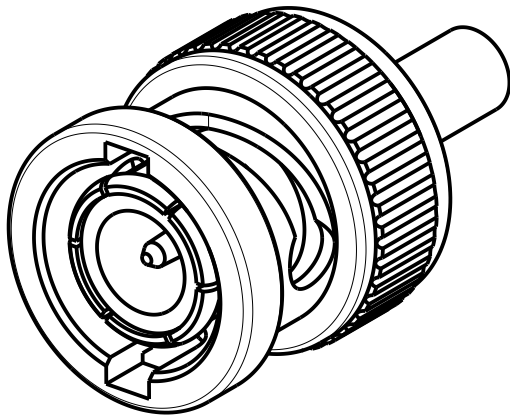
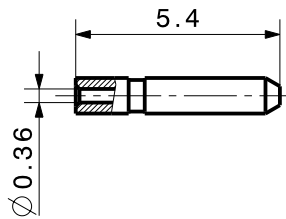
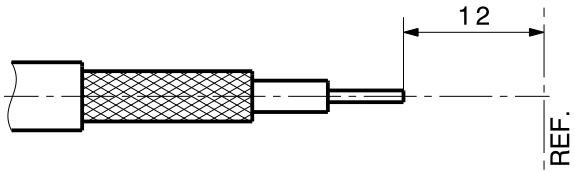


Diese Zeichnung ist unser geistiges Eigentum und darf ohne unsere Ermächtigung weder kopiert, vervielfältigt noch Dritten oder Konkurrenzfirmen zugänglich gemacht werden. ( Art. 12 B.G.)  
 This drawing is copyright. Information contained thereon is supplied in confidence and must not be used for any other purpose than which it was supplied, or be reproduced without written permission of the owners.

Cable shortening dimension



|                                 |                                   |                       |
|---------------------------------|-----------------------------------|-----------------------|
| type / Typ: 11_BNC-50-1-5       |                                   |                       |
| ⊕ dimensions in millimeter [mm] | part no. / Teile Nr.: PRO-0007021 | B sheet/Blatt XX / XX |
| description / Beschreibung      | drawing-no. / Zeichnungsnr.       | Release               |
| Cable plug                      | DOU-0007021                       | B                     |

alternative ID: 4.13.30488



# Assembly instruction Series BNC B No. 9068

## Tools and materials required:

Stanley blade  
Scissors  
Crimp tool (see table below)

## Straight connectors for flexible cable

Cable entry: SUHNER Full-Crimp

### Connector types: (e. g.)

|                |                 |                 |
|----------------|-----------------|-----------------|
| 11 BNC-50-1-5c | 11 BNC-50-2-13c | 11 BNC-50-2-16c |
| 21 BNC-50-1-4c | 21 BNC-50-2-9c  |                 |
|                | 24 BNC-50-2-13c |                 |

This connector is supplied in 3 parts

Suitable cables e. g.:

Centre contact:

Braid:

Crimp tool:

RG 196 A/U

cavity 1

cavity A

1, 2, A (red)

RG 188 A/U

cavity 1

cavity A

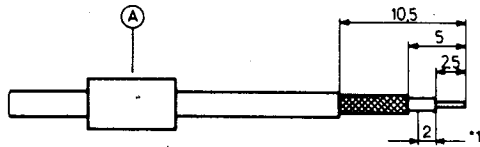
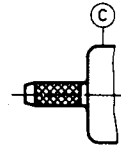
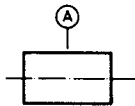
1, 2, A (red)

G 01130 HT \*1

cavity 1

cavity A

1, 2, A (red)

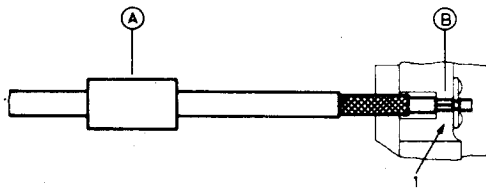


Slide ferrule A onto cable.

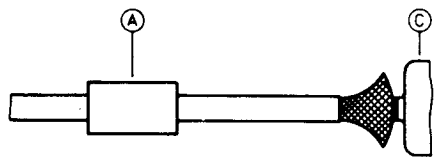
Prepare cable according to diagram.

CAUTION: Do not damage braid, dielectric and inner conductor of cable.

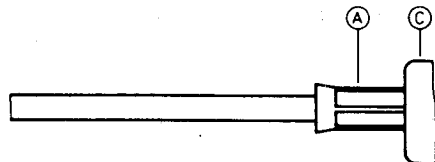
\*1 Remove semi conducting layer 2 mm towards braid.



Push contact B over inner conductor of cable to abut cable dielectric and crimp with insert 1.



Splay out braid and insert cable in connector body C. Ensure that braid lies above the crimp neck.



Slide ferrule A over braid and crimp as close to connector body C as possible.



SUHNER's skilled staff and specialised equipment are available to carry out complete R. F. lead-assembly on your behalf. We mount your connectors on cables at economic prices! Please contact our representative for further details of this service.



**HUBER+SUHNER LTD. CH-9100 HERISAU**

Deutscher Text: siehe Rückseite