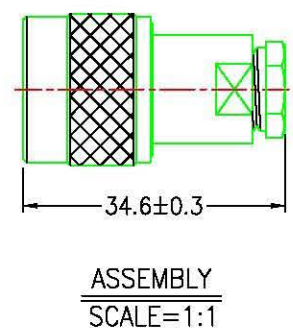
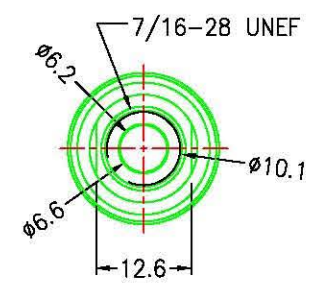
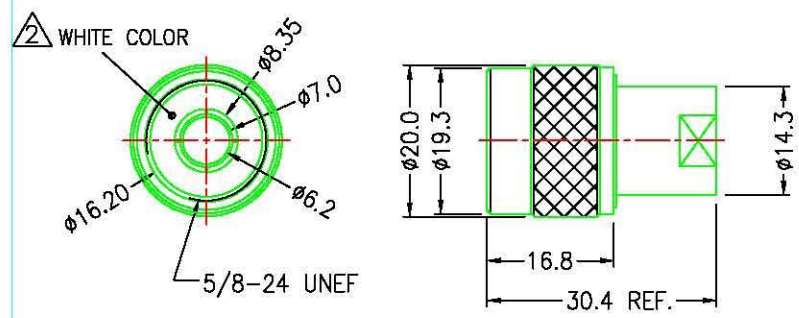
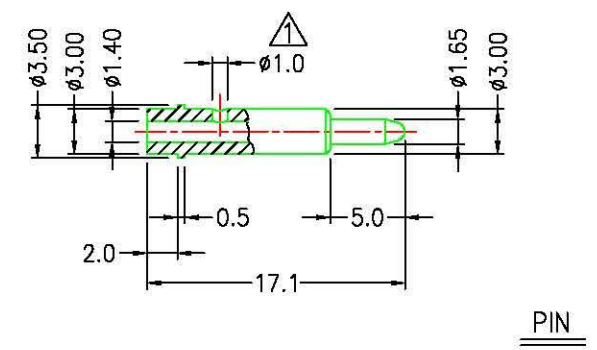
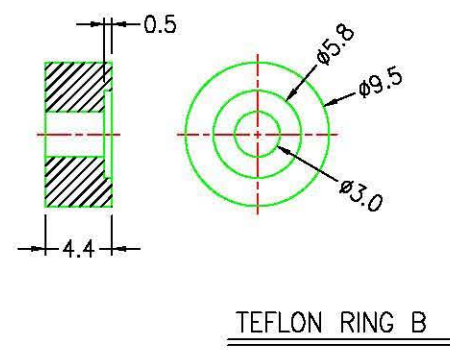
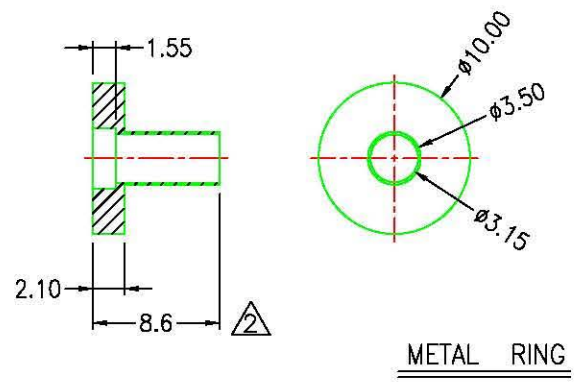
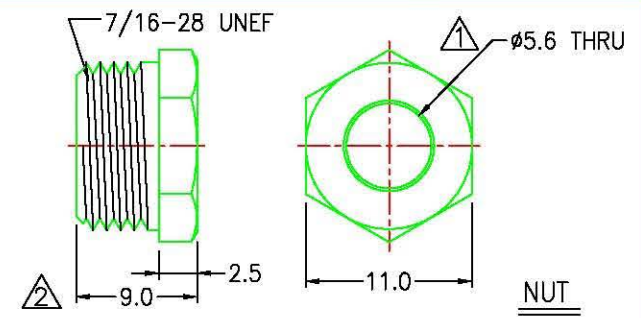
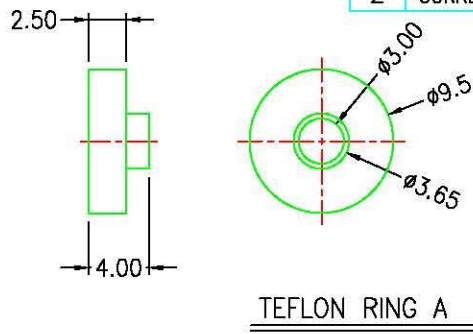
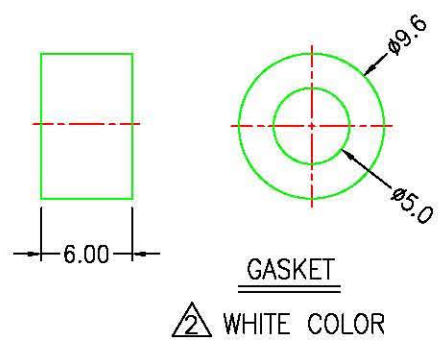


REV.	DESCRIPTION	DRAWN / DATE	APPROVED / DATE
0	INITIAL RELEASE	08/03/2004	08/03/2004
1	CHANGE DIM.	08/30/2004	08/30/2004
2	CORRECTED DIM. ADD COLOR NOTE	05/17/2010	



DIMENSIONS ARE IN mm [INCH]	TOLERANCES ARE FRACTIONS DECIMALS ANGLES	MATERIAL
MOLD NO.	.x ±0.2 [0.008]	FINISH
	.xx ±0.12 [0.005]	COLOR

**N-03C**

N CLAMP PLUG, FOR RG58/142/223 CABLE USE

P/N	DRAWN	DATE 08/03/2004
PROJECT NO.		
SCALE 2:1	SIZE A4	SHEET 1 OF 1
		MC064