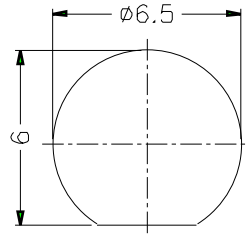
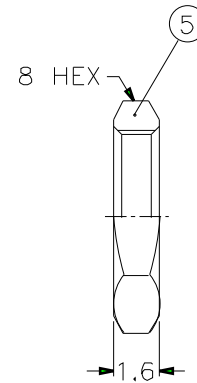
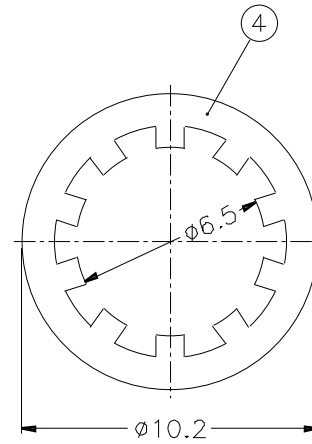
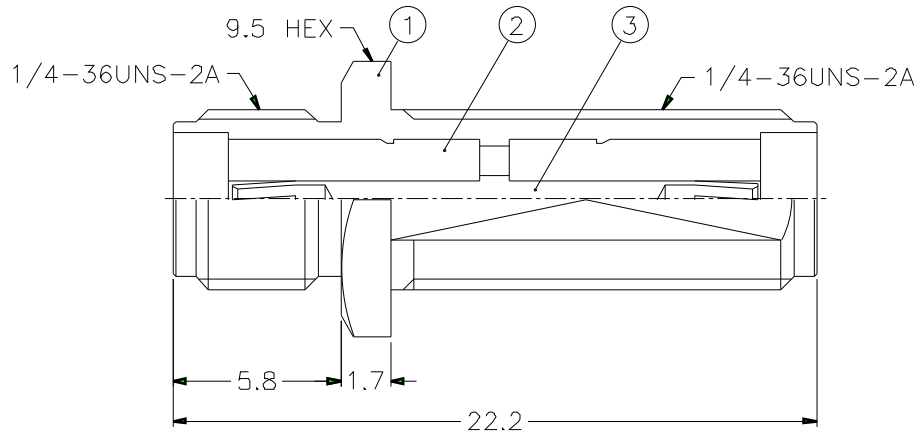


1		2		3		4		5		6		7		8	
REVISIONS															
ISS	ZONE	DESCRIPTION\PER REQUEST\DATE													



RECOMMENDED MOUNTING HOLE



NOTES: FINISH (PLATING THICKNESS IN MICRO-INCHES)

1. BRASS PER QQ-B-626
2. BRASS PER QQ-B-613
3. GOLD PL. 3 MIN. THICK OVER NICKEL PL. 100 MIN. THICK OVER COPPER STRIKE
4. BERYLLIUM COPPER PER QQ-C-530
5. GOLD PL. 50 MIN. THICK OVER NICKEL PL. 100 MIN. THICK OVER COPPER STRIKE
6. TEFLON MIL-P-19468

1. MAX. PANEL THICKNESS=6.4mm

DIMENSIONS ARE IN MILLIMETERS										PART NO. SMA7471B1-3GT50G-50		<b>Amphenol</b>					
UNLESS OTHERWISE SPECIFIED TOLERANCES										APPROVED						DATE	
0.5-6 = ±0.2										CHECKED		DATE		TITLE SMA BULKHEAD FEMALE TO FEMALE ADAPTOR			
6-30 = ±0.4										DRAWN		DATE		DRAWING NO. KJ-SMA7471B1-3GT50G-50			
30-120 = ±0.6										FILE NO.		DATE		ITEM NO.			
120-315 = ±1																	
315-1000 = ±1.6																	
1000-2000 = ±2.4																	
SCALE 4/1 ISSUE A																	
5	HEX NUT	NOTE 1	NOTE 3	1	HNB-1/4-36X16												
4	LOCK WASHER	NOTE 2	NOTE 3	1	LW-102/65X05												
3	CONTACT PIN	NOTE 4	NOTE 5	1	SMA7910-3												
2	INSULATOR	NOTE 6	NATURAL	2	SMA7471B1-2T-50												
1	BODY	NOTE 1	NOTE 3	1	SMA7471B1-1-B												
NO.	DESCRIPTION	MATERIAL	FINISH	Q'TY	DRAWING NO.	SCALE	4/1	ISSUE	A	FILE NO.	DATE	DATE					

1		2		3		4		5		6		7		8	
---	--	---	--	---	--	---	--	---	--	---	--	---	--	---	--