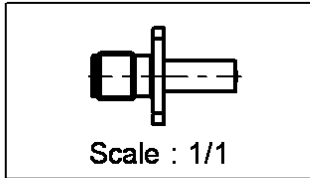
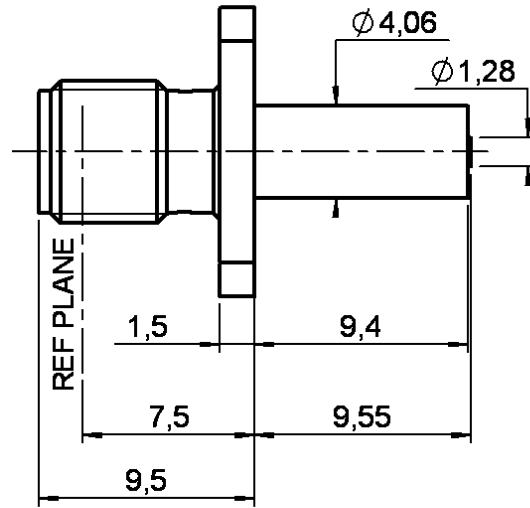
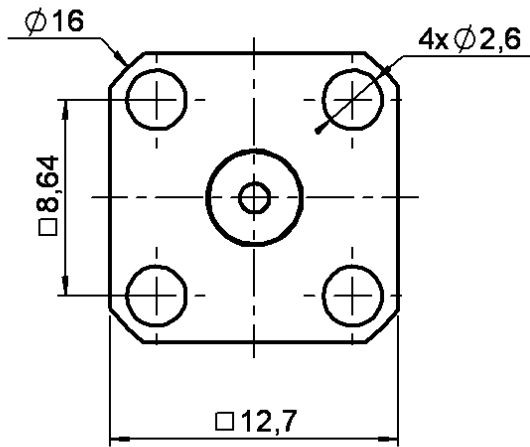


**ADJUSTABLE SQUARE FLANGE JACK RECEPTACLE  
WITH CYLINDRICAL CONTACT**

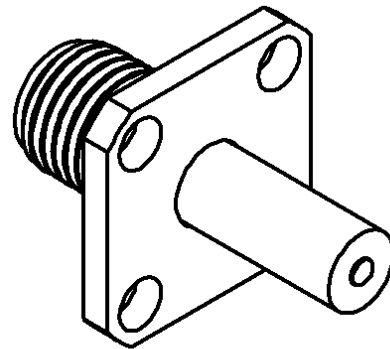
**R125.415.740**

Series : SMA



**PANEL CUT OUT**

	mm	
	Maxi	mini
A	4.2	4.1
B	2.7	2.6
C	8.69	8.59



All dimensions are in mm.



COMPONENTS	MATERIALS	PLATINGS (µm)
BODY	STAINLESS STEEL	GOLD 0.5 OVER NICKEL 2
CENTER CONTACT	BERYLLIUM COPPER	GOLD 2.5 OVER NICKEL 2
OUTER CONTACT	-	-
INSULATOR	PTFE	-
GASKET	-	-
OTHERS PARTS	-	-
-	-	-
-	-	-

Issue : 0222 B

In the effort to improve our products, we reserve the right to make changes judged to be necessary.



**ADJUSTABLE SQUARE FLANGE JACK RECEPTACLE  
WITH CYLINDRICAL CONTACT**

**R125.415.740**

Series : SMA

**PACKAGING**

**SPECIFICATION**

Standard	Unit	Other
<b>1</b>	-	<b>Contact us</b>

**ELECTRICAL CHARACTERISTICS**

Impedance		<b>50</b> Ω
Frequency		<b>0-18</b> GHz
VSWR	<b>1.06</b> +	<b>0.002</b> x F(GHz) Maxi
Insertion loss		<b>0.07*</b> √F(GHz) dB Maxi
RF leakage	- (	<b>60</b> - F(GHz)) dB Maxi
Voltage rating		<b>500</b> Veff Maxi
Dielectric withstanding voltage		<b>1000</b> Veff mini
Insulation resistance		<b>5000</b> MΩ mini

**ENVIRONMENTAL**

Operating temperature	<b>-65/+165</b> °C
Hermetic seal	<b>NA</b> Atm.cm3/s
Panel leakage	<b>NA</b>

**OTHERS CHARACTERISTICS**

Assembly instruction **NA**

Others :

\* Coaxial Transmission Line Only

**MECHANICAL CHARACTERISTICS**

Center contact retention		
Axial force – Mating end	<b>27</b>	N mini
Axial force – Opposite end	<b>27</b>	N mini
Torque	<b>2.8</b>	N.cm mini
Recommended torque		
Mating	<b>NA</b>	N.cm
Panel nut	<b>NA</b>	N.cm
Mating life	<b>500</b>	Cycles mini
Weight	<b>2.883</b>	g

Issue : 0222 B

In the effort to improve our products, we reserve the right to make changes judged to be necessary.

