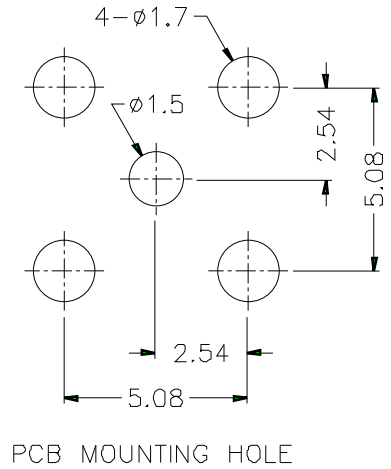
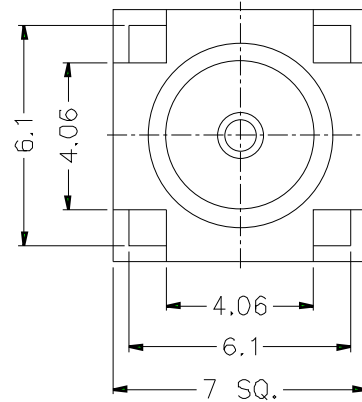
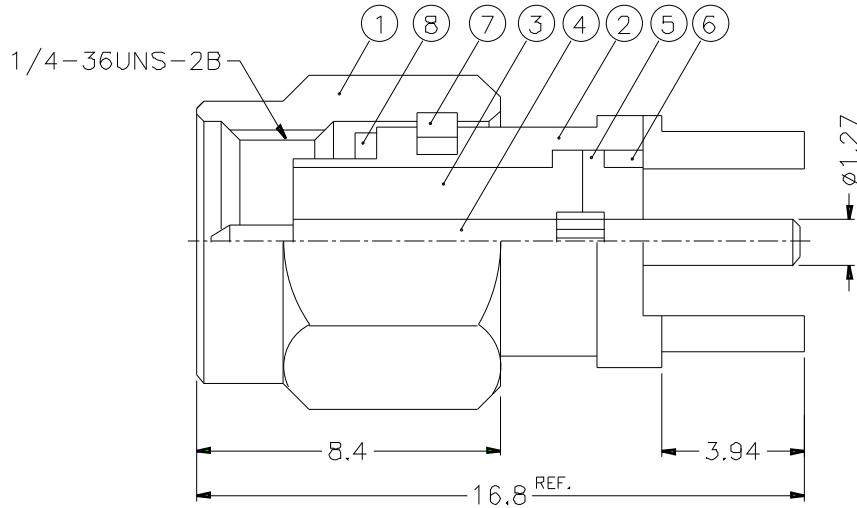


1			2			3			4			5			6			7			8		
REVISIONS																							
ISS	ZONE	DESCRIPTION\PER REQUEST\DATE																					



- NOTES: FINISH (PLATING THICKNESS IN MICRO-INCHES)
- BRASS PER QQ-B-626
 - GOLD PL. 3 MIN. THICK OVER NICKEL PL. 100 MIN. THICK OVER COPPER STRIKE
 - BERYLLIUM COPPER PER QQ-C-530
 - GOLD PL. 50 MIN. THICK OVER NICKEL PL. 100 MIN. THICK OVER COPPER STRIKE
 - TEFLON MIL-P-19468

8	GASKET	SILICONE	RED	1	GS-6/43X06	DIMENSIONS ARE IN MILLIMETERS				PART NO.	SMA1251A1-3GT50G-50		<h1 style="text-align: center;">Amphenol</h1>				
7	RETAINER RING	NOTE 3	NATURAL	1	SMA5000-4-B	UNLESS OTHERWISE SPECIFIED TOLERANCES				APPROVED						DATE	TITLE
6	RING	NOTE 1	NOTE 2	1	SMA7700-5-B	0.5-6 = ±0.2				CHECKED						DATE	SMA P.C. MOUNT PLUG
5	INSULATOR	NOTE 5	NATURAL	1	SMA7700-4T-50	6-30 = ±0.4				DRAWN						DATE	KJ-SMA1251A1-3GT50G-50
4	CONTACT PIN	NOTE 1	NOTE 4	1	SMA1251A1-4-A	30-120 = ±0.6				DRAWING NO.							
3	INSULATOR	NOTE 5	NATURAL	1	SMA5530-3T-50-B	120-315 = ±1				ITEM NO.							
2	BODY	NOTE 1	NOTE 2	1	SMA1251A1-2-B	315-1000 = ±1.6											
1	SHELL	NOTE 1	NOTE 2	1	SMA5000-1-C	1000-2000 = ±2.4											
NO.	DESCRIPTION	MATERIAL	FINISH	Q'TY	DRAWING NO.	SCALE	5/1	ISSUE	A	FILE NO							

1			2			3			4			5			6			7			8		
---	--	--	---	--	--	---	--	--	---	--	--	---	--	--	---	--	--	---	--	--	---	--	--