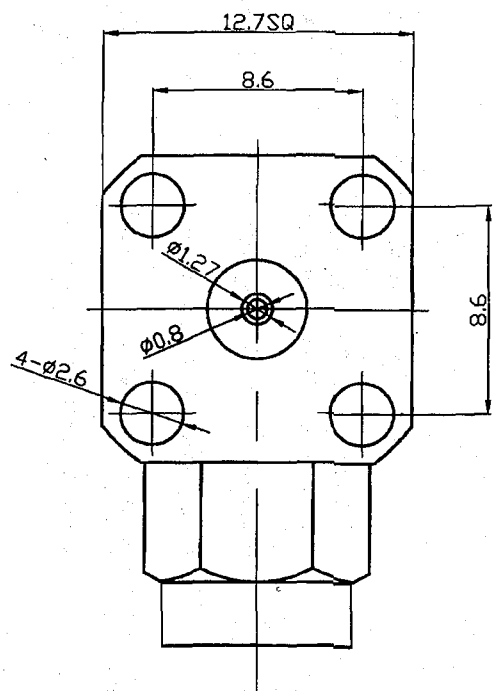
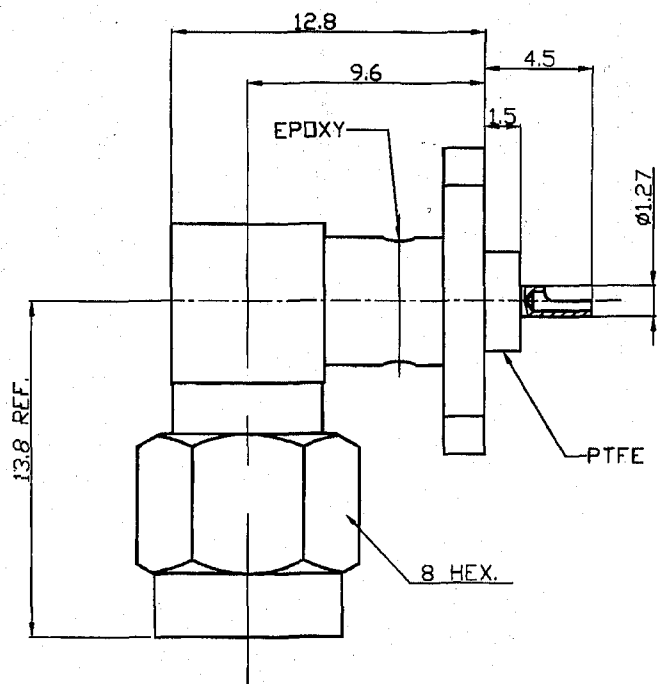


LOC	DIST	REVISIONS		
		P	LYR	DESCRIPTION
-	-	-	-	-

- 1.0 PERFORMANCE
- 1.1 VOLTAGE RANGE: 335V RMS (sea level)
 - 1.2 DWV: 1000V RMS
 - 1.3 TEMPERATURE RANGE: -55° C TO +125° C
 - 1.4 NOMINAL IMPEDANCE: 50 OHMS
 - 1.5 INSULATION RESISTANCE: 5000 MOHMS
 - 1.6 FREQUENCY RANGE: DC-18GHZ
 - 1.7 VSWR: 1.30 (MAX)

- 2.0 MATERIALS
- 2.1 BODY AND NUT: BRASS B16 (ASTM)
 - 2.2 CENTER CONTACT: SILICON BRONZE
 - 2.3 INSULATOR: PTFE
 - 3.0 FINISHES
 - 3.1 BODY AND NUT: GOLD PLATE
 - 3.2 CENTER CONTACT: GOLD PLATE
 - 4.0 THE PARTE IS ROHS COMPLIANT.



THIS DRAWING IS A CONTROLLED DOCUMENT.		DIR: DAVID ZHAO 12/4	SHANGHAI SHIDI TECHNOLOGY INC.													
DIMENSIONS: mm		CHK: -	NAME: STEVEN													
TOLERANCES UNLESS OTHERWISE SPECIFIED:		APVD: STEVEN 12/4	PRODUCT SPEC: -													
<table border="1"> <tr><td>0 PLC</td><td>± 0.2</td></tr> <tr><td>1 PLC</td><td>± 0.1</td></tr> <tr><td>2 PLC</td><td>± 0.05</td></tr> <tr><td>3 PLC</td><td>± -</td></tr> <tr><td>4 PLC</td><td>± -</td></tr> <tr><td>ANGLES</td><td>± 0.5°</td></tr> </table>		0 PLC	± 0.2	1 PLC	± 0.1	2 PLC	± 0.05	3 PLC	± -	4 PLC	± -	ANGLES	± 0.5°	APPLICATION SPEC: -	SMA PLUG RIGHT ANGLE	
0 PLC	± 0.2															
1 PLC	± 0.1															
2 PLC	± 0.05															
3 PLC	± -															
4 PLC	± -															
ANGLES	± 0.5°															
MATERIAL: -	FINISH: -	WEIGHT: -	SIZE: A3	RESTRICTED TO: -												
		DRAWING NO: C-21477-0	SCALE: 5:1	SHEET: 1 OF 1 REV: 0												