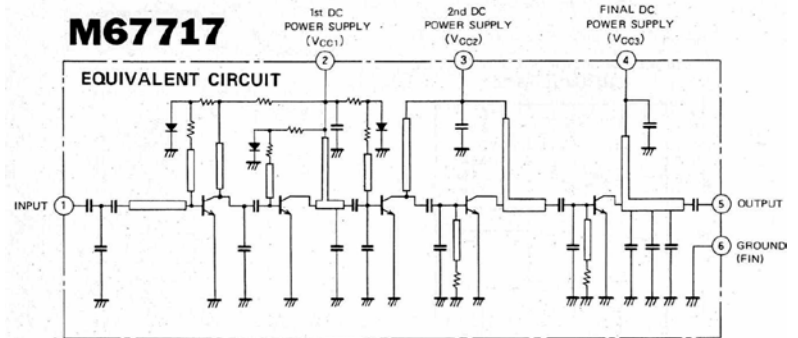
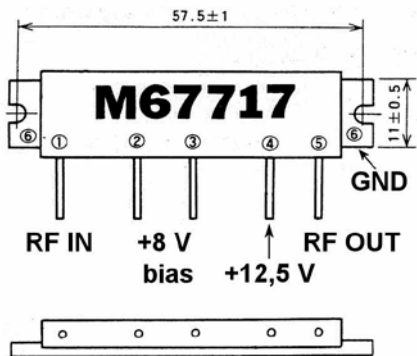
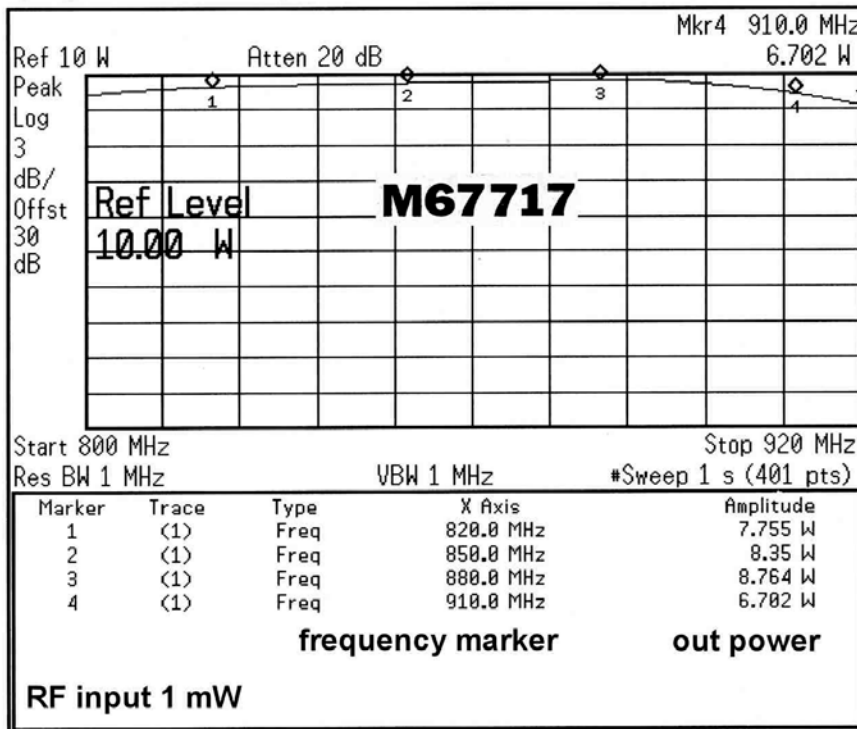


TEST REPORT



Agilent 17:30:44 May 22, 2007



Power output diagram with 1mW of power input

V_{cc}: +12.5V
Bias: +8V
Span: 800 - 920 MHz