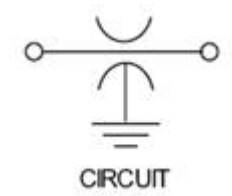
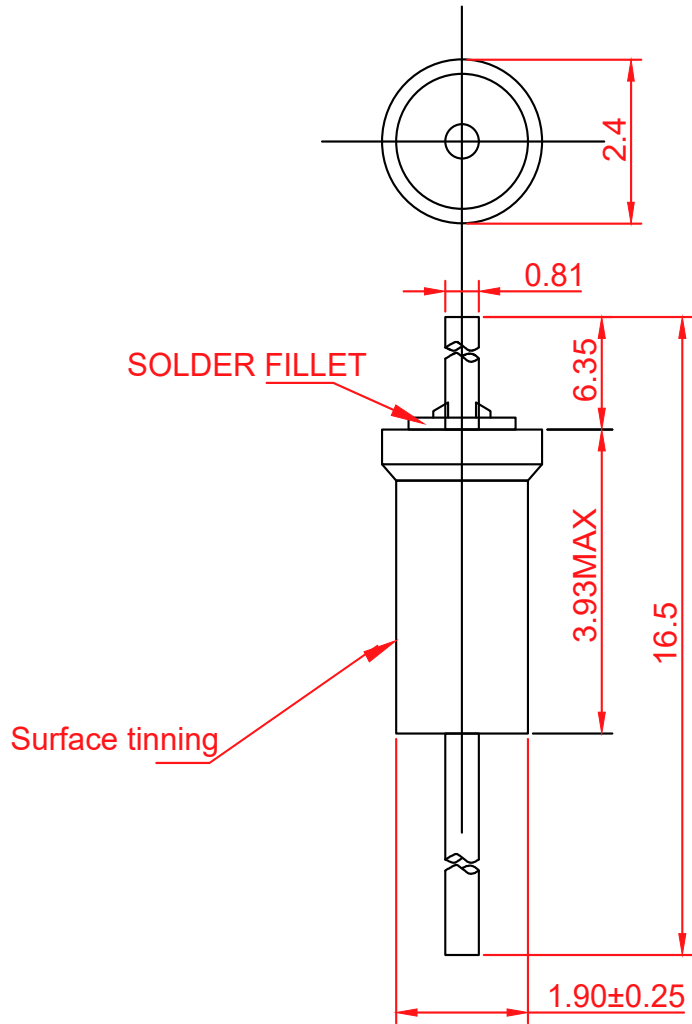


1. PHYSICAL CHARACTERISTICS(mm)



2. ELECTRONICAL SPECIFICATIONS

NO	ITEM	TECHNICAL DATA
1	Capacitance	1500pF
2	Capacitance Tolerance	+100% , -0%
3	Circuit	C
4	Rated Current	7A
5	Working Voltage	100VDC
6	Dielectric Withstanding Voltage	Apply 250VDC voltage for 2 seconds
7	Insulation Resistance	>10000M Ohms
8	Dissipation Factor	< 5.0%
9	Temp Char	X5U
10	Temp. range	-55-+125°C
11	Installation	SOLDER
12	Thread Size	2.4H1.9

RoHS Compliant

NAME	Capacitance		
CUSTOMER P/N	PP-76-152-2.4H1.9	Date	2024-3-11
		Rev. A1	Page 1/1
	electronicRF		

Drawing changes	Rev.	
	Rev.	