


DATASHEET


ELECTRICAL SPECIFICATIONS:

Frequency range	dc – 40 GHz	
Impedance	50 Ω	
Switch type	SPDT, reflective	
Actuator type	Failsafe	
Switching time	≤ 15 ms	
Switching sequence	Break before make	

P/N	SW-40-12S12KA	SW-40-12S18KA	SW-40-12S24KA	SW-40-12S28KA
Nom. actuating voltage	12	18	24	28
DC voltage (V_{dc})	11 to 13	16 to 20	22 to 26	26 to 30
Actuating current (mA)	190	136	98	83

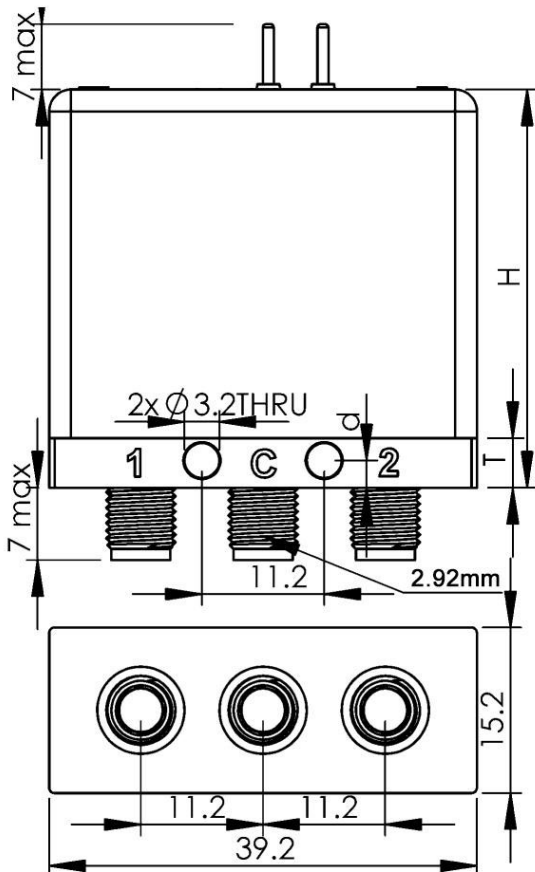
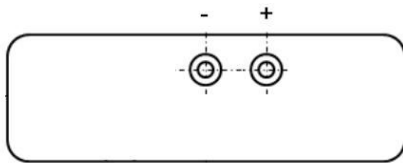
Frequency [GHz]	VSWR (max.)	Insertion loss (max.) [dB]	Isolation (min.) [dB]
0 – 6	1.20	0.20	70
6 – 12	1.30	0.25	70
12 – 18	1.40	0.40	60
18 – 26.5	1.60	0.60	55
26.5 – 32	1.90	0.80	50
32 – 40	1.90	0.90	50

ENVIRONMENTAL & MECHANICAL SPECIFICATIONS:

Operating life	≥ 3 million cycles	
RF connectors	2.92mm female	
Actuator terminals	Solder pins	
Operating temperature	-25 / +65 $^{\circ}\text{C}$	
Storage temperature	-55 / +85 $^{\circ}\text{C}$	
Shock (Designed to meet)	MIL-STD-202 Method 213, Condition D, 500G (Non Operating)	
Vibration (Designed to meet)	MIL-STD-202 Method 214, Condition D, 10G RMS (Non Operating)	
Weight	~ 70 g	

Dimensions (Unit: mm, Tolerance: ±0.5mm)

H = 38
 T = 5.5
 d = 2.75



Schematic diagram

