

DATASHEET



ELECTRICAL SPECIFICATIONS:

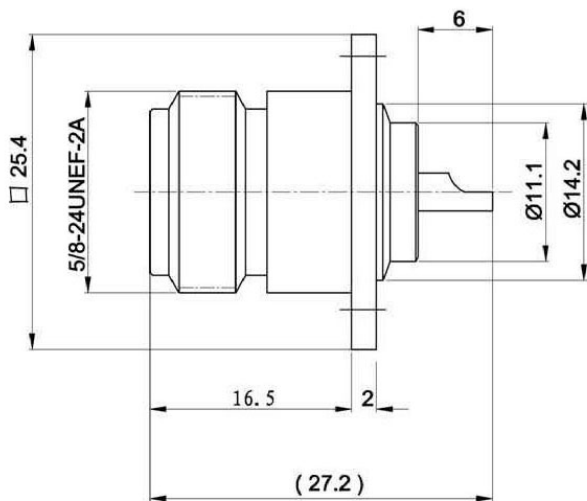
Frequency range	dc – 11 GHz
Impedance	50 Ω
Voltage rating	1.0 kV RMS
Insulation resistance	5000 MΩ min.
Temperature range	-55 / +125 °C
Life time	500 mating

MATERIAL SPECIFICATIONS:

	Materials	Finishes
Connector body	Brass	Nickel plating
Center contact	BeCu	Gold flash
Insulator	PTFE	-

CABLE GROUP:

-



Unit: mm

