

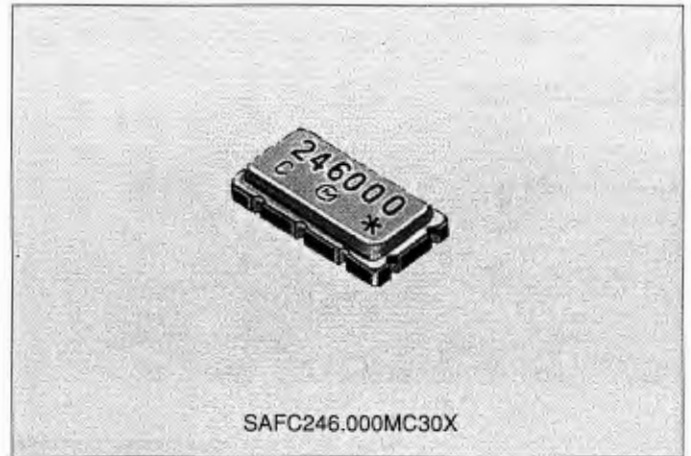
SURFACE ACOUSTIC WAVE FILTER



SAFC246.000MC30X for Digital Cellular

SAW Filter for GSM 1st-IF

SAFC246.000MC30X is a high selectivity SMD SAW filter for GSM 1st IF. It is designed on X'tal substrate, which gives flat G.D.T characteristics and high selectivity. Multi-layered ceramic package(SC59) is suitable for miniaturization.



SAFC246.000MC30X

FEATURES

1. SC59 is suitable for small, light and thin design.
2. Applicable for reflow soldering, washable and available to supply with taping.
3. Low insertion loss, high selectivity.
4. Flat G.D.T. characteristics within pass band.
5. Excellent stop band attenuation.

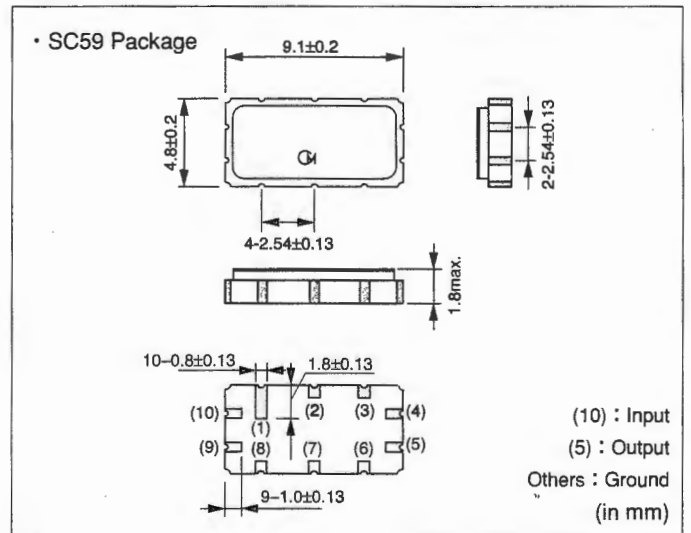
SPECIFICATIONS

Part number : SAFC246.000MC30X(SC59 Package)

Item	Specifications
Nominal Center Frequency (fo)	246.0MHz
3 dB Bandwidth (from fo)	± 80 KHz min.
Stop Band Attenuation (from min. loss point)	
I) at fo ± 400KHz	25 dB min.
II) at fo ± 600KHz	40 dB min.
III) at fo ± 800KHz	45 dB min.
IV) at fo ± 1600KHz	40 dB min.
V) at fo ± 3000KHz	40 dB min.
Insertion Loss(at fo)	5 dB max.
Ripple (within fo ± 80KHz)	1.0 dB max.
Group Delay Deviation (within fo ± 80KHz)	2.5 μ sec.max.
Input and Output Impedance	420 Ω // -3.6pF

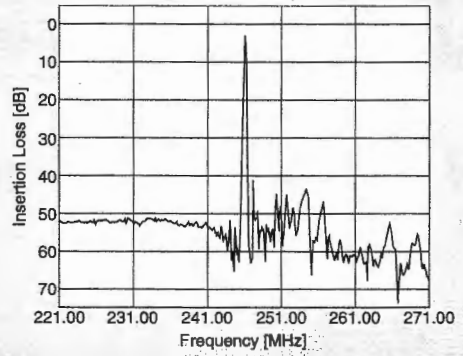
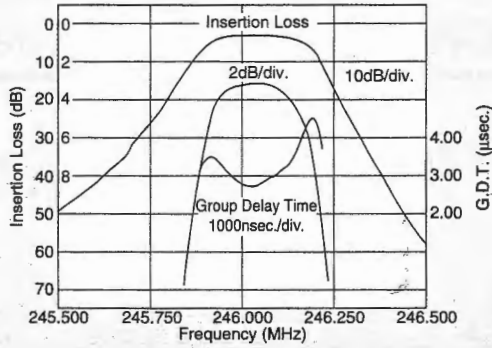
(Operating Temperature Range : -20°C ~ +75°C)

DIMENSIONS

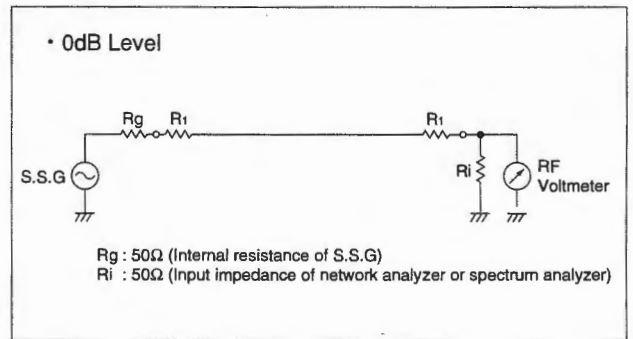
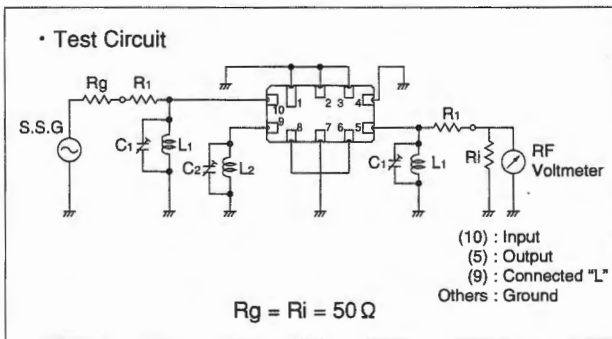


FREQUENCY CHARACTERISTICS

SAFC246.000MC30X



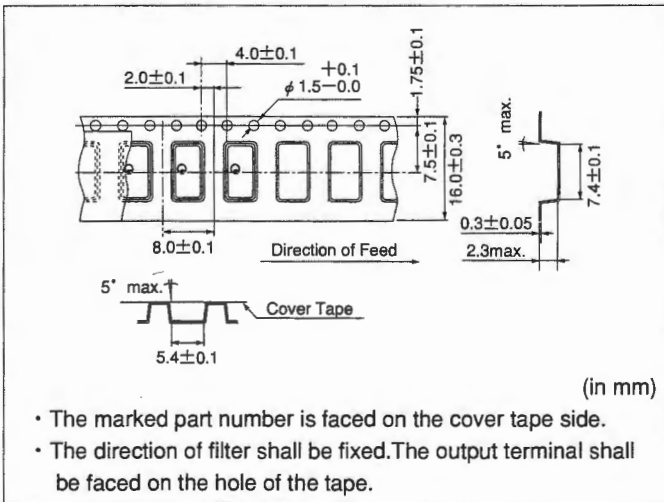
TEST CIRCUIT



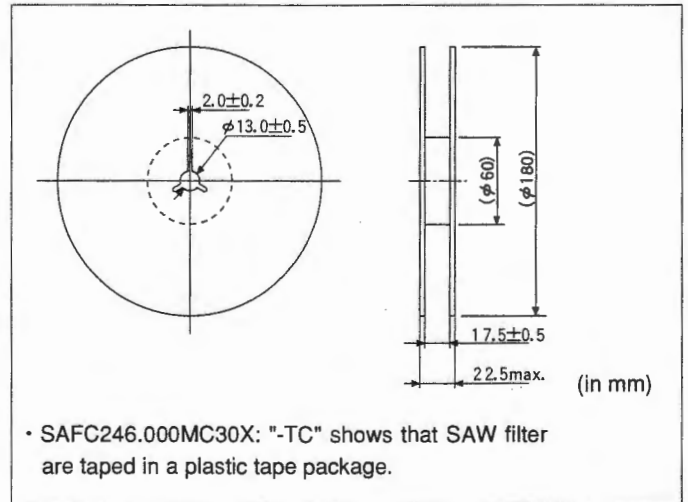
Terminating impedance of transformer (L_1) and capacitor (C_1) shall be adjusted to be $420 \Omega // -3.6 \text{pF}$ at f_0 .

Terminating impedance of transformer (L_2) and capacitor (C_2) shall be adjusted to be -3.3pF at f_0 .

TAPING DIMENSIONS



REEL DIMENSIONS



NOTE

Please note that SAW filter may be deteriorated or damaged, when static electricity is impressed to it.

MINIMUM QUANTITY (order in sets only)

500 pcs. / reel