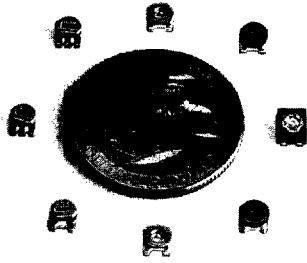


CHIP TRIMMING POTENTIOMETERS CERMET RVG4J, RVG4H, RVG4M



The RVG4 series has presoldered electrodes to facilitate surface mounted auto-placement and reflow soldering. The wide 200° rotational angle improves performance and resistance range.

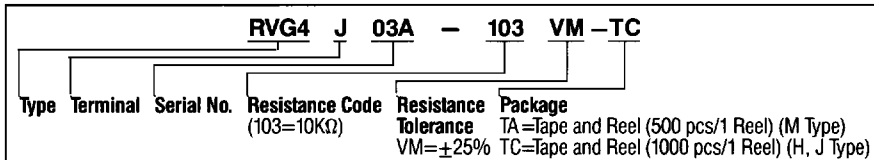
APPLICATIONS

The RVG4 series are widely applicable for fine circuit adjustments in consumer electronic equipment such as small VTR cameras, TV tuners, portable TV and stereo sets, as well as transceiver communication circuits and industrial motor controllers, photoelectric switches and medical electronic equipment.

FEATURES

- Miniature size—3.8 × 4.5 × 2.25(mm) for close component spacing
- Easily adjusts with regular screwdriver
- Large, solid axle not affected by vacuum chuck during auto-placement
- Nickel barrier layer terminals eliminate solder leaching in reflow soldering operation (H type)
- Available on 12mm Tape and Reel for auto-placement

PART NUMBERING SYSTEM



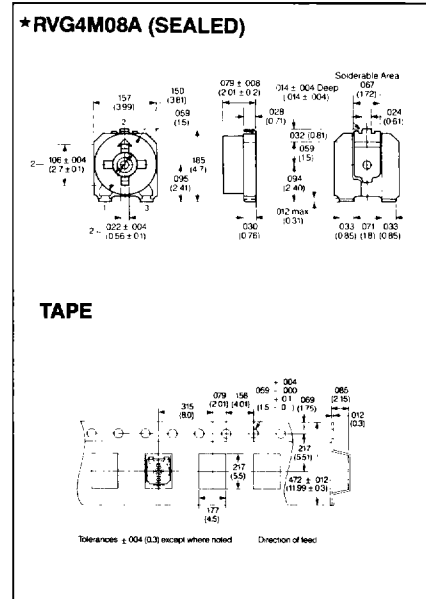
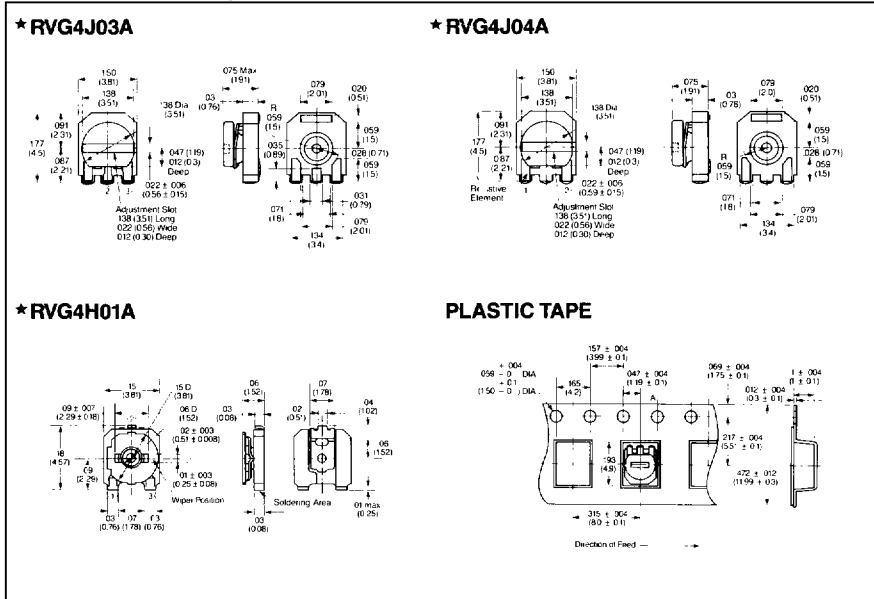
SPECIFICATIONS

Item	RVG4M	RVG4H	RVG4F
Resistance Range		100Ω to 2MΩ	
Tolerance		±25%	
Taper		B (Linear)	
Power Rating		0.1W at 70°C	
Max. Working Voltage		50V DC	
Torque		2.0 to 24.5mNm	
Electrical Rotation		200°±10°	

STANDARD RESISTANCES

RES. (ohms)	CODE	RES. (ohms)	CODE
100	101	20K	203
200	201	30K	303
300	301	50K	503
500	501	100K	104
1K	102	200K	204
2K	202	300K	304
3K	302	500K	504
5K	502	1M	105
10K	103	2M	205

DIMENSIONS: in. (mm)



ENVIRONMENTAL SPECIFICATIONS

	Resistance Change	Condition													
Humidity	±3%	500 hrs. at 40°C, 90-95% RH without loading, and 5 hrs. at room temperature.													
Temperature Exposure	±3%	500 hrs., at 70°C without loading, and 1.5 hrs. at room temperature.													
Humidity Load Life	±3%	At 40°C, 90-95% RH rated voltage 1.5 hrs. ON, and 0.5 hrs. OFF for 1000±12 hrs. and 5 hrs. at room temperature.													
Temperature Load Life	±3%	At 70°C, rated voltage 1.5 hrs. ON and 0.5 hrs. OFF for 1000±12 hrs. and 5 hrs. at room temperature.													
Temperature Cycling	±3%	5 cycles													
		<table border="1"> <thead> <tr> <th>Sequence</th> <th>1</th> <th>2</th> <th>3</th> <th>4</th> </tr> </thead> <tbody> <tr> <td>Temp. (°C)</td> <td>-55</td> <td>+25</td> <td>+125</td> <td>+25</td> </tr> <tr> <td>Time (min.)</td> <td>30</td> <td>10</td> <td>30</td> <td>10</td> </tr> </tbody> </table>	Sequence	1	2	3	4	Temp. (°C)	-55	+25	+125	+25	Time (min.)	30	10
Sequence	1	2	3	4											
Temp. (°C)	-55	+25	+125	+25											
Time (min.)	30	10	30	10											
Temperature Coefficient of Resistance	±250ppm/°C	30 to 45 each													
		<table border="1"> <thead> <tr> <th>Sequence</th> <th>1</th> <th>2</th> <th>3</th> <th>4</th> </tr> </thead> <tbody> <tr> <td>Temp. (°C)</td> <td>+25</td> <td>-55</td> <td>+25</td> <td>+125</td> </tr> <tr> <td>Time (min.)</td> <td></td> <td></td> <td></td> <td></td> </tr> </tbody> </table>	Sequence	1	2	3	4	Temp. (°C)	+25	-55	+25	+125	Time (min.)		
Sequence	1	2	3	4											
Temp. (°C)	+25	-55	+25	+125											
Time (min.)															
Rotational Life	±10%	Continuous 10 cycles without loading													

All values are standard through authorized Murata Electronics Distributors.