

MATERIALS AND FINISHES:

BODY ZINC ALLOY
SEE TABLE

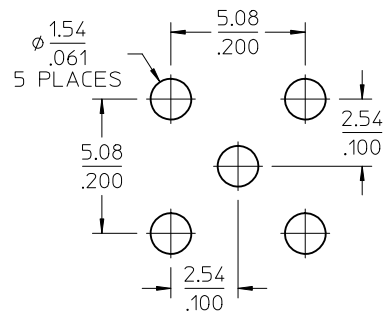
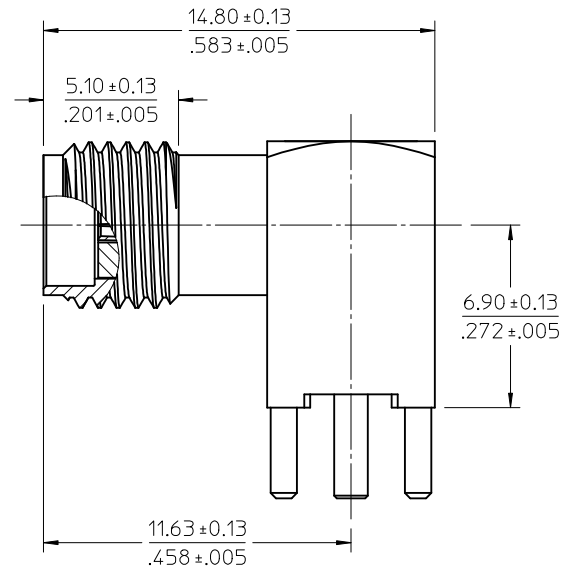
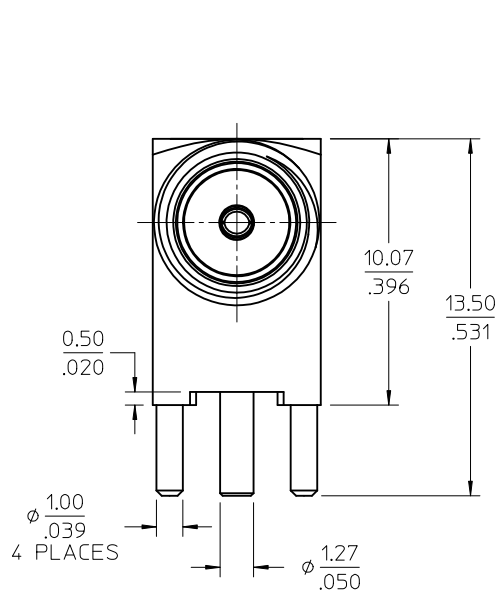
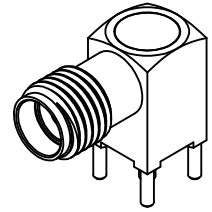
INSULATOR TEFLON

CONTACT (MATING END) BERYLLIUM COPPER
PLATED GOLD

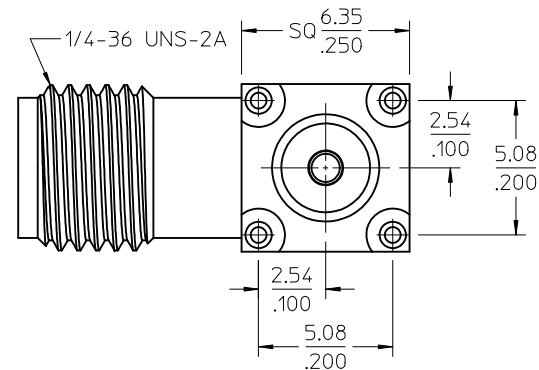
CONTACT (PCB END) BRASS
PLATED GOLD

COVER BRASS
SEE TABLE

PACKAGING SEE TABLE



RECOMMENDED PCB CONFIGURATION



PS-73598-0111	SPECIFICATION	73391-0083	BODY, PIN, AND COVER PLATED GOLD 1u" MIN	73391-0083 TRAY (80 CAV.)
MIL-STD-348A, FIG. 310.1	INTERFACE	73391-0082	BODY, AND COVER PLATED NICKEL	73391-0080 TRAY (20 CAV.)
SPECIFICATION	DESCRIPTION	73391-0081	BODY, PIN, AND COVER PLATED GOLD 10u" MIN	73391-0081 TRAY (80 CAV.)
		73391-0080	BODY, AND COVER PLATED NICKEL	73391-0080 TRAY (80 CAV.)
		PART NO.	DESCRIPTION	PACHAGING

CHG: REDRAWN AND MEASUREMENT PER RFI2-E034 EC NO: URF2012-0310 DRW:RYEH 2011/12/02 CHKD: APPR:HUANG 2011/12/13 A5	QUALITY SYMBOLS ▽=0 ▽=0	GENERAL TOLERANCES (UNLESS SPECIFIED) mm INCH 4 PLACES ± --- ± --- 3 PLACES ± --- ± --- 2 PLACES ± --- ± --- 1 PLACE ± --- ± --- ANGULAR ± 2 °	DIMENSION STYLE MM/IN DRAWN BY LYNN LIN DATE 1998/12/08 CHECKED BY DATE A. CLARY 1998/12/08 APPROVED BY DATE NISEN 1998/12/08	SCALE 3.5:1 DESIGN UNITS METRIC THIRD ANGLE PROJECTION	TITLE SMA JACK R/A PCB TH 50 OHMS SMA-J/PCB	MATERIAL NO. SEE TABLE	DOCUMENT NO. SD-73391-008	SHEET NO. 1 OF 1
		DRAFT WHERE APPLICABLE MUST REMAIN WITHIN DIMENSIONS	MOLEX MOLEX INCORPORATED	THIS DRAWING CONTAINS INFORMATION THAT IS PROPRIETARY TO MOLEX INCORPORATED AND SHOULD NOT BE USED WITHOUT WRITTEN PERMISSION				